

0CNP5-M68300EN

## DEPLOYMENT ENGINE MODEL TABLE

SNOW THROWER			ENGINE		
MODEL	PC-No.	POSITION	MODEL	PC-No.	POSITION
JS-1071C,PQ	0CNP5-G68300	A	MZ300ST-YR	0CNP5-G69200	A
JS-1071C,S-PQ		B	MZ300ST-Y	0CNP5-G50900	A

# Contents

0CNP5-M68300

Fig. No.	Fig. Name
ENGINE RELATED ,SECTION	
1.	ENGINE RELATED
2.	ENGINE RELATED(S)
DRIVE TRAVEL SECTION	
3.	ENGINE CONTROL
4.	TENSION CLUTCH
5.	ENGINE PULLEY
6.	TRAVELING DRIVE BELT
7.	AUGER BELT
8.	TRAVEL TRANSMISSION
9.	REDUCTION GEAR
10.	AXLE SHAFT
CONTROL SECTION	
11.	HANDLE
12.	CONTROL PANEL
13.	CONTROL PANEL(S)
14.	DEAD MAN LEVER
15.	CLUTCH
16.	CLUTCH LOCK
17.	LEVER,CHANGE
18.	CHANGE ROD
19.	CHUTE LEVER
20.	CHUTE LEVER(S)

Fig. No.	Fig. Name
21.	CHUTE HANDLE
22.	LIFTING
CHASSIS,COVER,CRAWLER SECTION	
23.	CHASSIS FRAME
24.	BELT COVER
25.	GEAR COVER
26.	CRAWLER
27.	CRAWLER FRAME
28.	CRAWLER GUIDE
ELECTRO. PARTS SECTION	
29.	BATTERY
30.	HARNESS
31.	HARNESS(S)
32.	SWITCH(SWITCH STOP
33.	SWITCH(SWITCH KEY
34.	SWITCH(MOTOR
35.	LAMP
36.	LAMP(S)
SNOW REMOVING ,SECTION	
37.	AUGER FRAME
38.	AUGER FRAME(S)
39.	AUGER PLATE

# Contents

OCNP5-M68300

Fig. No. Fig. Name

- 40. AUGER COVER
- 41. AUGER BOTTOM
- 42. CHUTE
- 43. CHUTE(S
- 44. DEFLECTOR
- 45. ROTATION
- 46. ROTATION(S
- 47. GEARCASE
- 48. BLOWER SHAFT
- 49. AUGER SHAFT
- 50. AUGER
- 51. BLOWER

Fig. No. Fig. Name

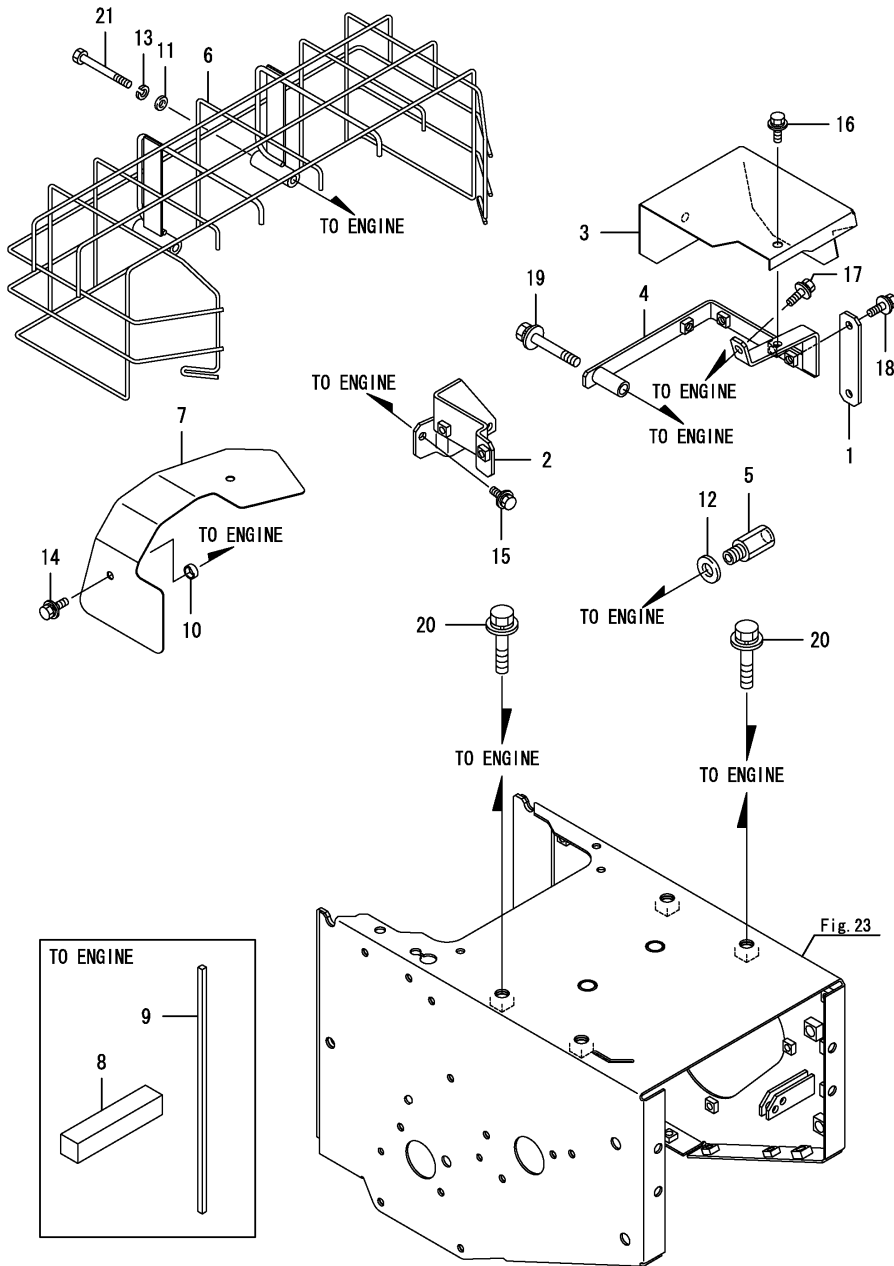
## LABELS & ACCESSORIES SECTION

- 52. LABEL
- 53. LABEL(S
- 54. LABEL(SAFETY
- 55. TOOL
- 56. ACCESSORY
- 57. ACCESSORY

Fig.1. ENGINE RELATED

(A)=JS-1071C,PQ  
(B)=JS-1071C,S-PQ  
(C)=

(D)=  
(E)=  
(F)=

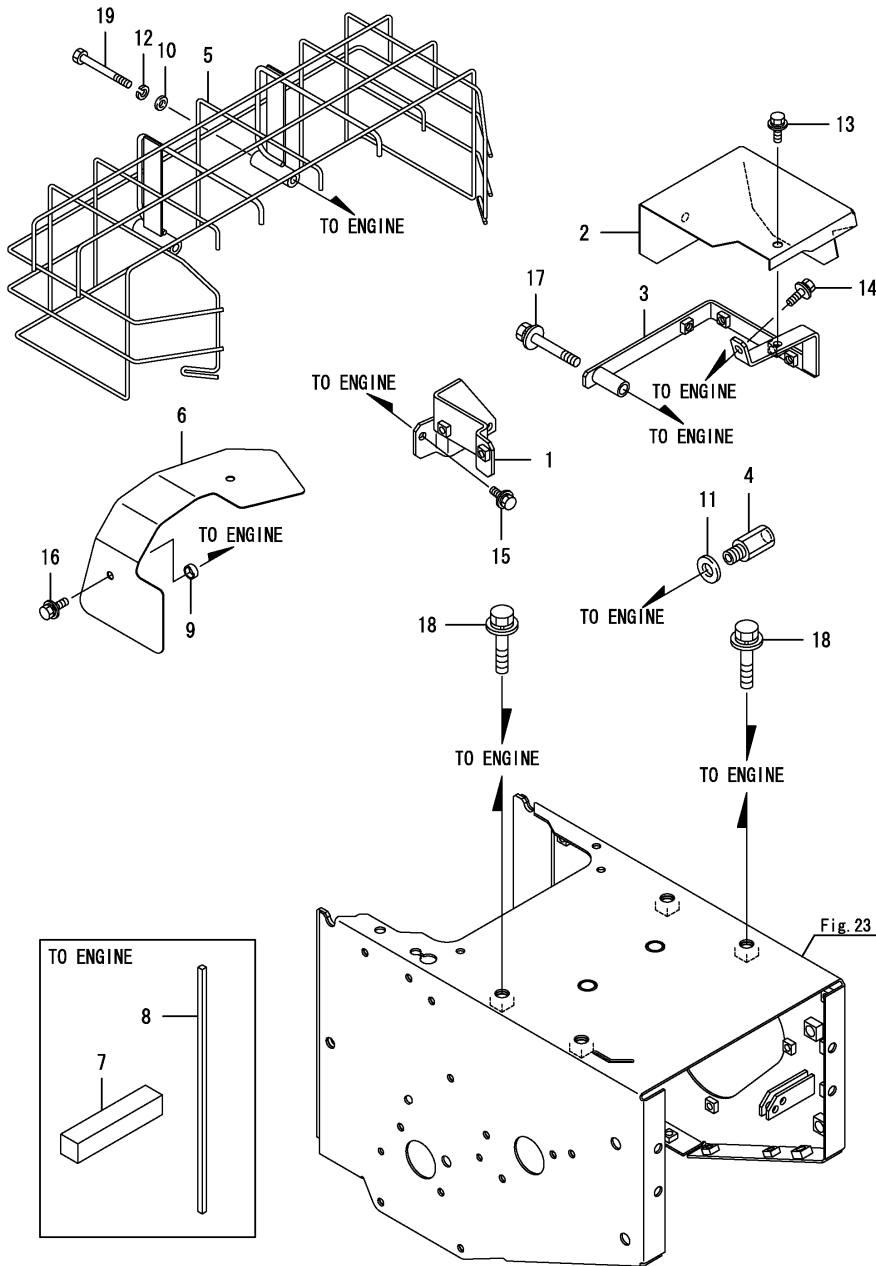


No.	Lev.	Parts No.	Description	Q'ty						I	R
				(A)	(B)	(C)	(D)	(E)	(F)		
1	1	1N1A10-00050	STAY,HARNESS	1							
2	1	1N3790-00050	STAY, FUEL COCK	1							
3	1	1N3790-00100	COVER, BRACKET	1							
4	1	1N3790-00150	STAY, BRACKET	1							
5	1	1N3790-00250	JOINT, DRAIN 12	1							
6	1	1N3790-00500	GUARD, MUFFLER	1							
7	1	1N3790-00700	COVER, LINK	1							
8	1	1N3790-00750	DAMPER, A	2							
9	1	1N3790-00760	DAMPER, B	1							
10	1	1N3790-00770	COLLAR,	2							
11	1	22137-060000	WASHER, 6	2							
12	1	22190-120002	WASHER, SEAL 12	1							
13	1	22217-060000	WASHER, SPRING 6	2							
14	1	26014-060162	BOLT, M6X 16	2							
15	1	26014-060162	BOLT, M6X 16	4							
16	1	26014-060162	BOLT, M6X 16	2							
17	1	26014-060162	BOLT, M6X 16	1							
18	1	26014-060162	BOLT, M6X 16	1							
19	1	26014-080502	BOLT, M8X 50	1							
20	1	26014-100402	BOLT, M10X 40	4							
21	1	26116-060552	BOLT, M6X 55 PLATED	2							

Fig.2. ENGINE RELATED(S)

(A)=JS-1071C,PQ  
 (B)=JS-1071C,S-PQ  
 (C)=

(D)=  
 (E)=  
 (F)=



No.	Lev.	Parts No.	Description	Q'ty						I	R
				(A)	(B)	(C)	(D)	(E)	(F)		
1	1	1N3790-00050	STAY, FUEL COCK		1						
2	1	1N3790-00100	COVER, BRACKET		1						
3	1	1N3790-00150	STAY, BRACKET		1						
4	1	1N3790-00250	JOINT, DRAIN 12		1						
5	1	1N3790-00500	GUARD, MUFFLER		1						
6	1	1N3790-00700	COVER, LINK		1						
7	1	1N3790-00750	DAMPER, A		2						
8	1	1N3790-00760	DAMPER, B		1						
9	1	1N3790-00770	COLLAR,		2						
10	1	22137-060000	WASHER, 6		2						
11	1	22190-120002	WASHER, SEAL 12		1						
12	1	22217-060000	WASHER, SPRING 6		2						
13	1	26014-060162	BOLT, M6X 16		2						
14	1	26014-060162	BOLT, M6X 16		1						
15	1	26014-060162	BOLT, M6X 16		4						
16	1	26014-060162	BOLT, M6X 16		2						
17	1	26014-080502	BOLT, M8X 50		1						
18	1	26014-100402	BOLT, M10X 40		4						
19	1	26116-060552	BOLT, M6X 55 PLATED		2						

Fig.3. ENGINE CONTROL

(A)=JS-1071C,PQ  
 (B)=JS-1071C,S-PQ  
 (C)=

(D)=  
 (E)=  
 (F)=

No.	Lev.	Parts No.	Description	Q'ty						I	R
				(A)	(B)	(C)	(D)	(E)	(F)		
1	1	198273-01230	KNOB, LEVER	1	1						
2	1	1N3790-02100	LEVER, ACCEL	1	1						
3	1	1N3790-02150	SPRING, STOPPER	1	1						
4	1	1N3850-02200	STOPPER, LEVER	1	1						
5	1	195385-35870	SPRING, 10	3	3						
6	1	22137-060000	WASHER, 6	1	1						
7	1	22137-100000	WASHER, 10	2	2						
8	1	26051-060002	NUT, M6	1	1						
9	1	26051-060002	NUT, M6	2	2						
10	1	26717-100002	NUT, M10	2	2						

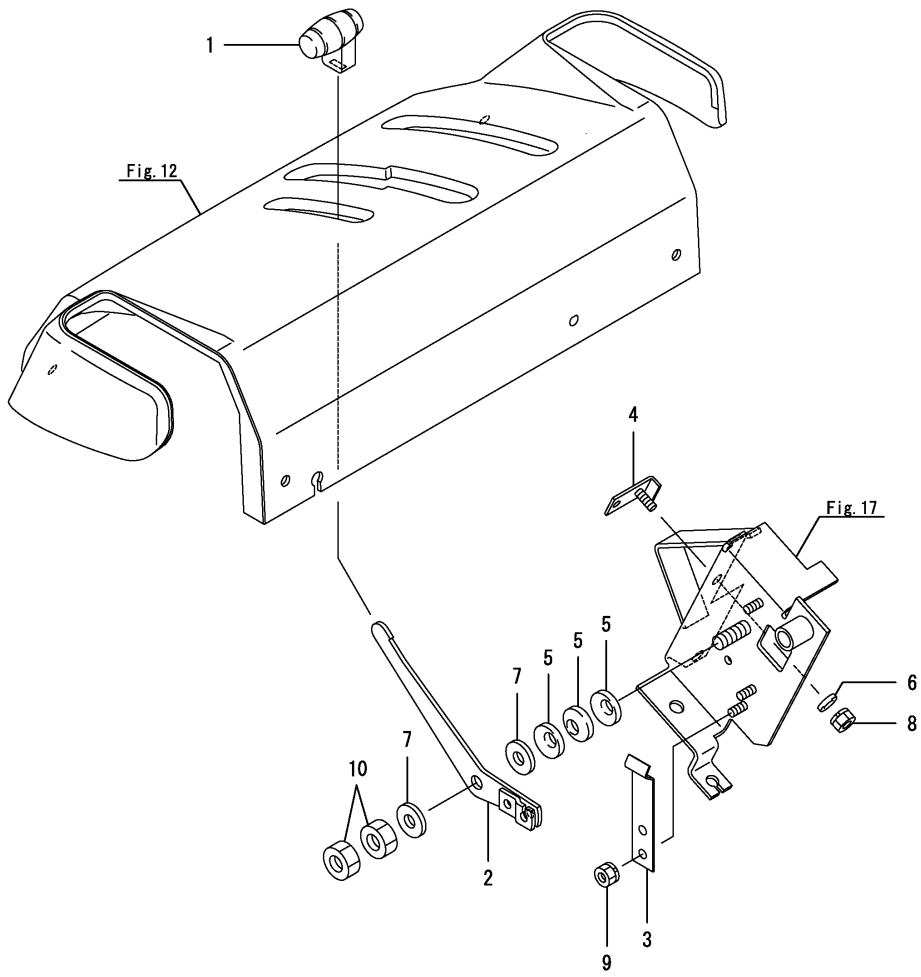
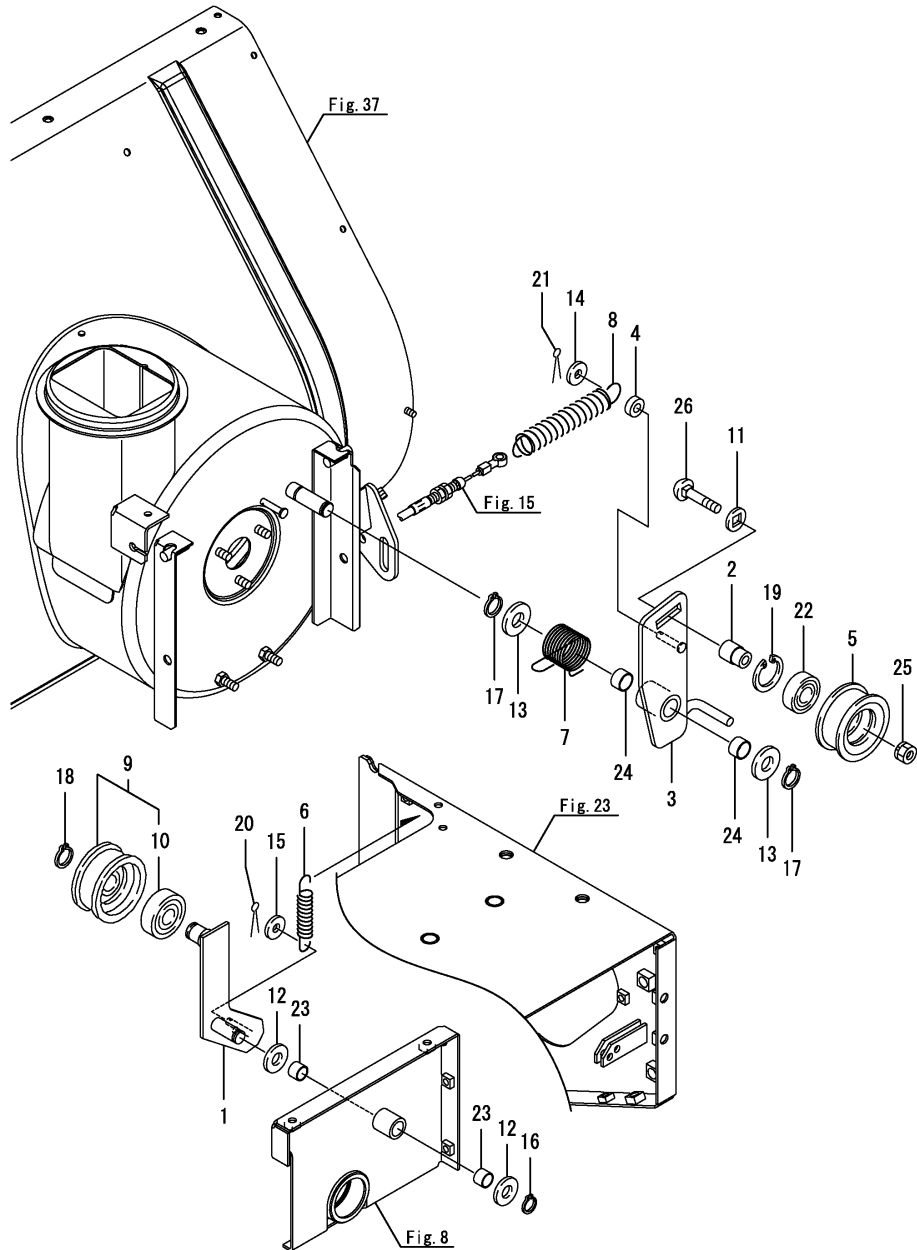


Fig.4. TENSION CLUTCH



(A)=JS-1071C,PQ  
 (B)=JS-1071C,S-PQ  
 (C)=

(D)=  
 (E)=  
 (F)=

No.	Lev.	Parts No.	Description	Qty						I	R
				(A)	(B)	(C)	(D)	(E)	(F)		
1	1	1N1A10-11000	TENSION,TRAVEL	1	1						
2	1	1N3790-11050	SHAFT, PULLEY	1	1						
3	1	1N1A10-11100	TENSION,WORK	1	1						
4	1	1N3790-11150	COLLAR, 6X14X5	1	1						
5	1	1N3021-11240-1	PULLEY, 63 TENSION	1	1						
6	1	1N3850-11250	SPRING, 13X80	1	1						
7	1	1N1A10-11270	SPRING	1	1						
8	1	1N1A10-11280	SPRING,18.5X161	1	1						
9	1	1E7030-51302-1	ROLLER ASSY, TENSION	1	1						
10	2	24104-063020	BEARING, 6302UUC3	1	1						
11	1	1N3320-71290	WASHER	1	1						
12	1	22137-120000	WASHER, 12	2	2						
13	1	22137-140000	WASHER, 14	2	2						
14	1	22157-060000	WASHER, 6	1	1						
15	1	22157-060000	WASHER, 6	1	1						
16	1	22242-000120	RING, 12	1	1						
17	1	22242-000150	RING, 15	2	2						
18	1	22242-000150	RING, 15	1	1						
19	1	22252-000350	RING, 35	1	1						
20	1	22417-160100	COTTER PIN	1	1						
21	1	22417-160100	COTTER PIN	1	1						
22	1	24107-062024	BEARING, BALL 6202ZZ	1	1						
23	1	24550-012100	BUSH 12X10	2	2						
24	1	24550-015100	BUSH, 15X10	2	2						
25	1	26051-080002	NUT, M8	1	1						
26	1	26487-080402	BOLT, M8X40	1	1						



Fig.5. ENGINE PULLEY

(A)=JS-1071C,PQ  
 (B)=JS-1071C,S-PQ  
 (C)=

(D)=  
 (E)=  
 (F)=

No.	Lev.	Parts No.	Description	Q'ty						I	R
				(A)	(B)	(C)	(D)	(E)	(F)		
1	1	1N3790-12000	PULLEY, ENGINE	1	1						
2	1	1N1A10-12150	RETAINER,BELT B	1	1						
3	1	1F1150-64230	WASHER 9X35X4.5,PLAI	1	1						
4	1	22550-070400	KEY, 7X 40	1	1						
5	1	26013-080302	BOLT, M8X 30	1	1						
6	1	26014-080202	BOLT, M8X 20	1	1						

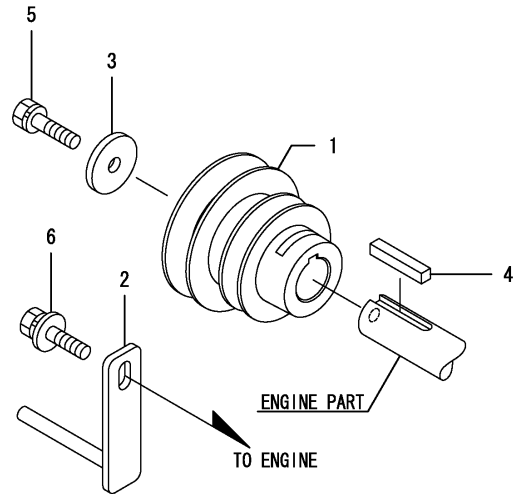


Fig.6. TRAVELING DRIVE BELT

(A)=JS-1071C,PQ  
 (B)=JS-1071C,S-PQ  
 (C)=

(D)=  
 (E)=  
 (F)=

No.	Lev.	Parts No.	Description	Q'ty						I	R
				(A)	(B)	(C)	(D)	(E)	(F)		
1	1	1N1A10-12050	PULLEY,145A	1	1						
2	1	22242-000250	RING, 25	1	1						
3	1	25122-003401	V-BELT, A34H	1	1						

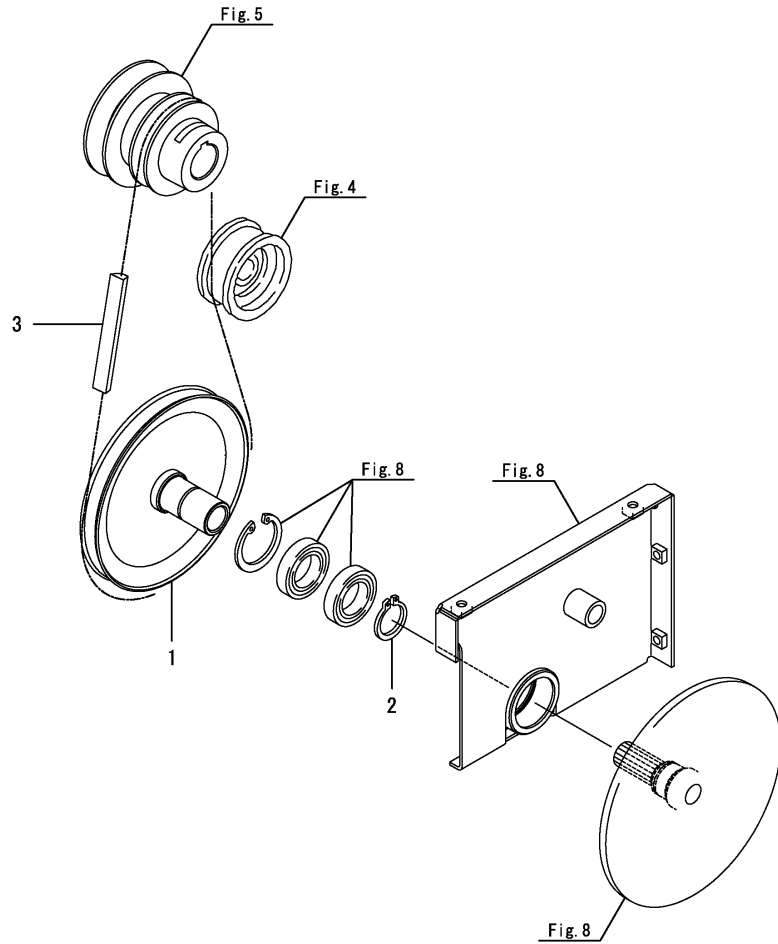
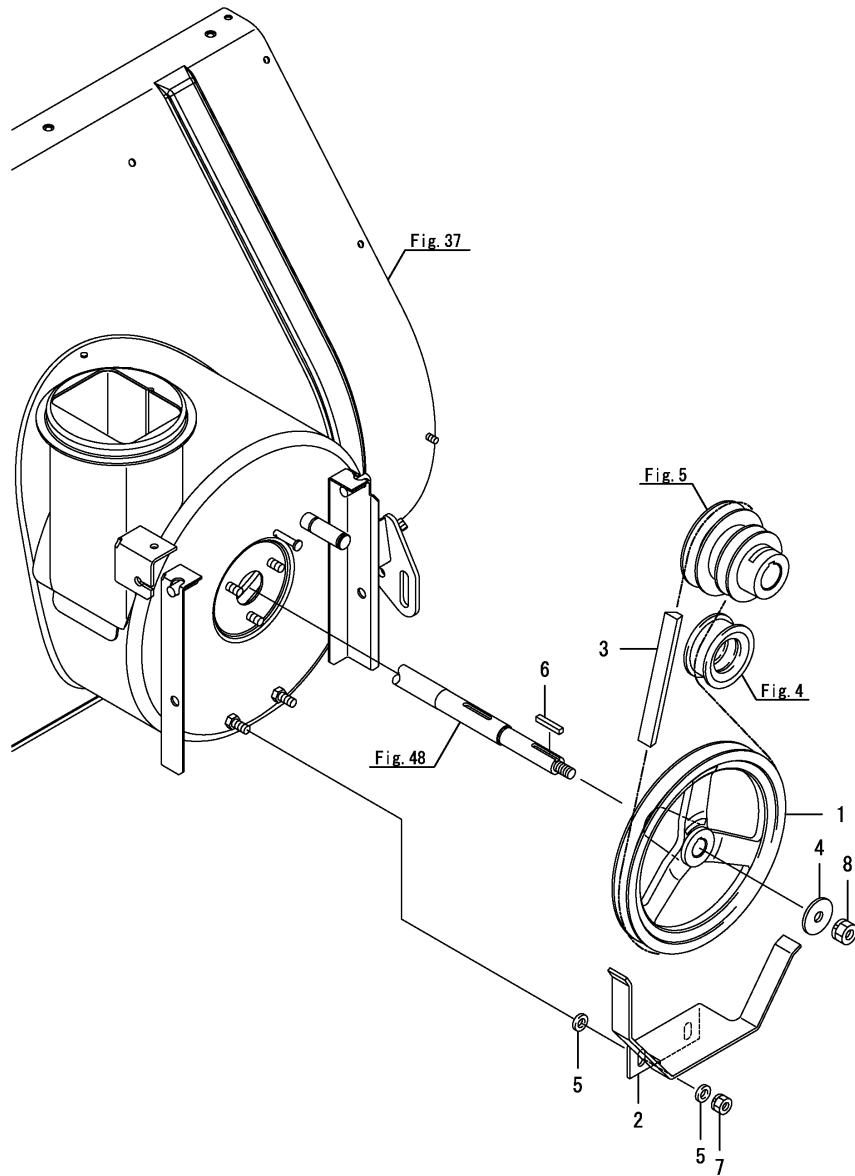


Fig.7. AUGER BELT



(A)=JS-1071C,PQ  
 (B)=JS-1071C,S-PQ  
 (C)=

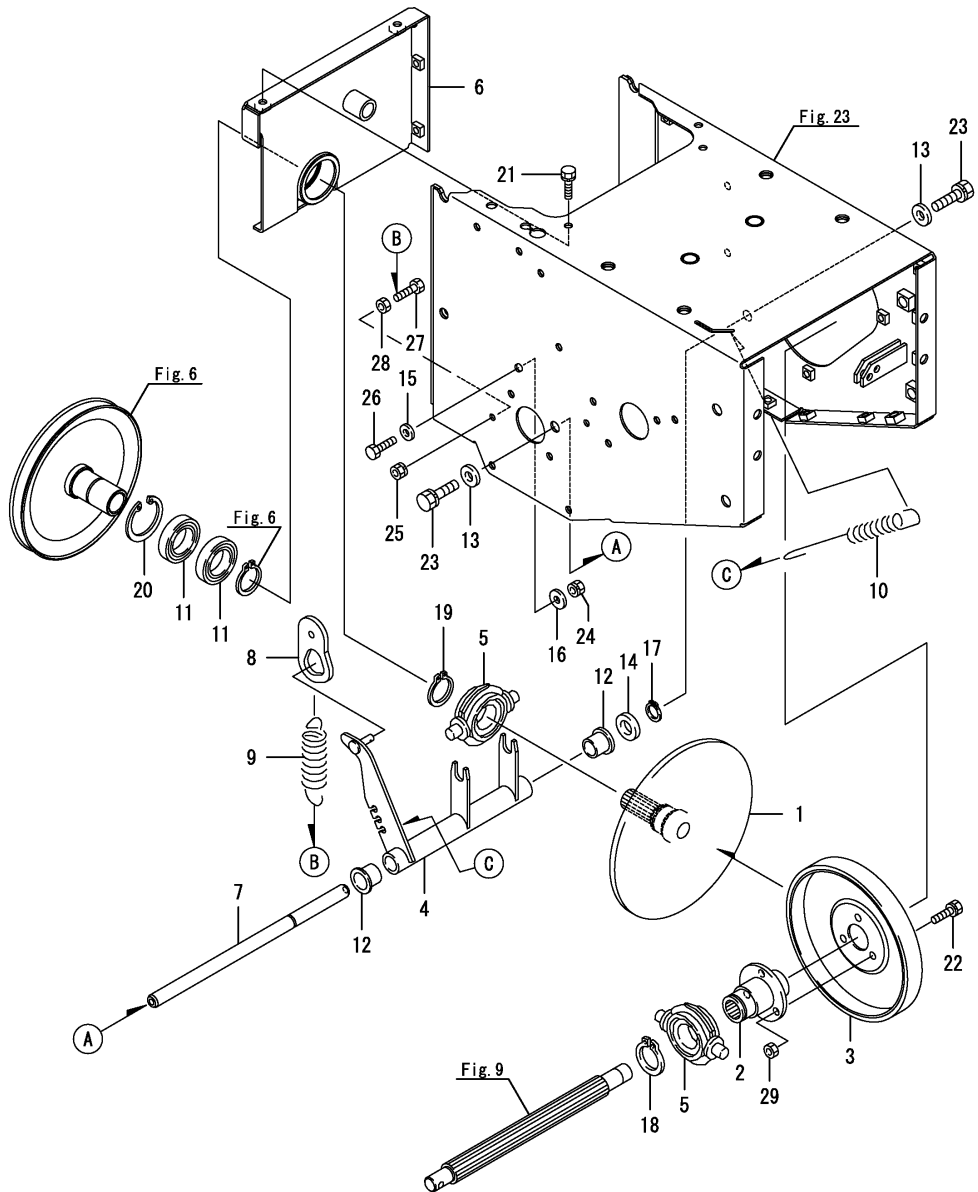
(D)=  
 (E)=  
 (F)=

No.	Lev.	Parts No.	Description	Q'ty						I	R
				(A)	(B)	(C)	(D)	(E)	(F)		
1	1	1N3790-12010	PULLEY, 204B	1	1						
2	1	1N1A10-12200	GUIDE,BELT LOWER	1	1						
3	1	1A6150-15010	V-BELT, LB35-AG6	1	1						
4	1	1S7302-30370	WASHER, 36X10.5X3	1	1						
4-1	1	1C1300-38250	WASHER, 10X40X4.5	1	1						N
		(A=*2014.02) (B=*2014.02)									
5	1	22137-080000	WASHER, 8	4	4						
6	1	22550-050300	KEY 5X30	1	1						
7	1	26051-080002	NUT, M8	2	2						
8	1	26051-100002	NUT, M10	1	1						

Fig.8. TRAVEL TRANSMISSION

(A)=JS-1071C,PQ  
(B)=JS-1071C,S-PQ  
(C)=

(D)=  
(E)=  
(F)=

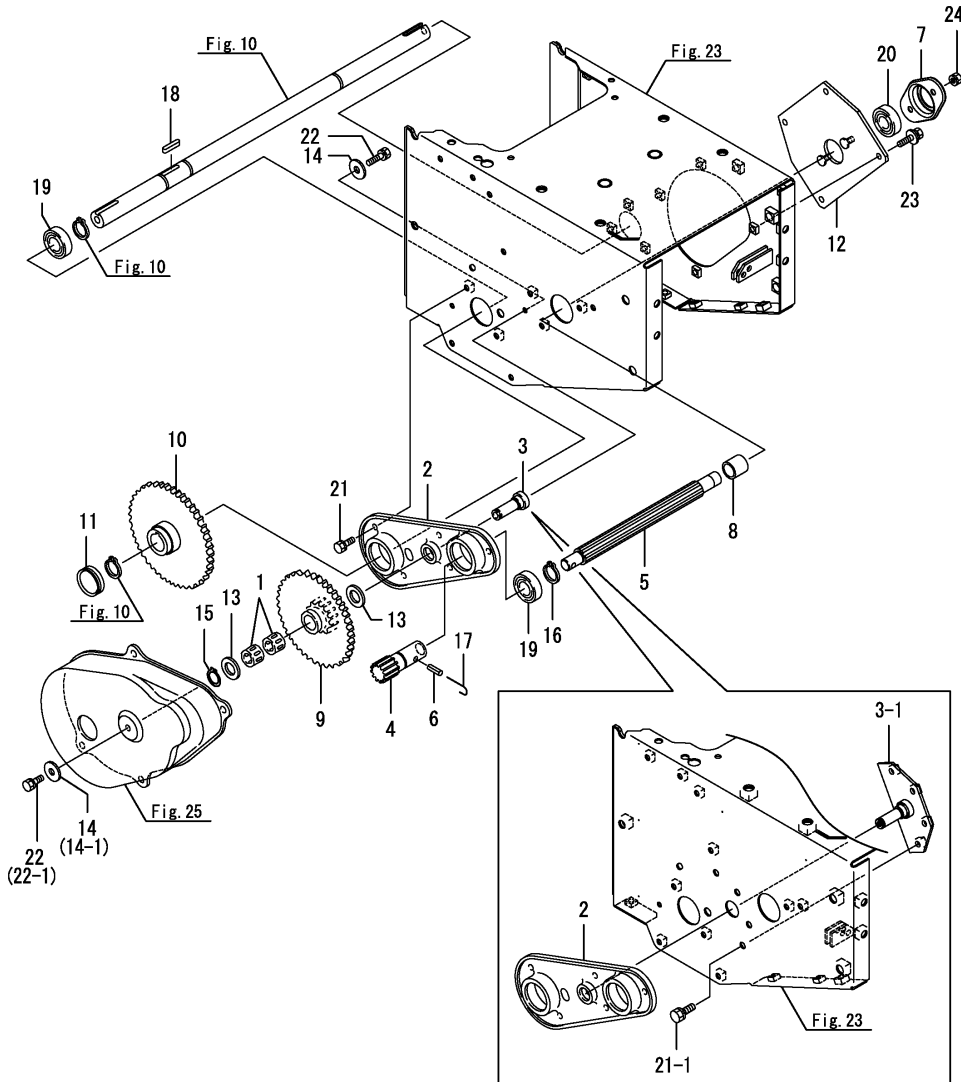


No.	Lev.	Parts No.	Description	Q'ty						I	R
				(A)	(B)	(C)	(D)	(E)	(F)		
1	1	1N3840-21001	PLATE, CHANGE	1	1						
2	1	1N3840-21100	SEAT, MOUNTING	1	1						
3	1	1N1570-21201	PLATE, FRICTION	1	1						
4	1	1N3840-21200	BEARING, PLATE	1	1						
5	1	1N1570-21300	SLIDER, CLUTCH	2	2						
6	1	1N1A10-21300	REST, BEARING	1	1						
7	1	1N3400-21300	SHAFT, PLATE FULCRUM	1	1						
8	1	1N1A10-21330	PLATE, CLUTCH	1	1						
8-1	1	1N1A10-21331	PLATE, CLUTCH	1	1						N
(A)=*2014.02) (B)=*2014.02)											
9	1	1N3330-21400	SPRING, 23X89	1	1						
10	1	1N3840-21410	SPRING, 13X200	1	1						
11	1	1N3840-21450	BEARING, 6905	2	2						
12	1	1S6000-61220	BUSH, COLLAR	2	2						
13	1	22117-080000	WASHER, 8	2	2						
14	1	22117-120000	WASHER, 12	1	1						
15	1	22137-060000	WASHER, 6	1	1						
16	1	22157-060000	WASHER, 6	1	1						
17	1	22242-000120	RING, 12	1	1						
18	1	22242-000250	RING, 25	1	1						
19	1	22242-000250	RING, 25	1	1						
20	1	22252-000420	RING, 42	1	1						
21	1	26013-060122	BOLT, M6X 12	4	4						
22	1	26013-060162	BOLT, M6X 16	3	3						
23	1	26013-080162	BOLT, M8X 16	2	2						
24	1	26051-060002	NUT, M6	1	1						
25	1	26051-060002	NUT, M6	1	1						
26	1	26116-060254	BOLT, M6X 25 PLATED	1	1						
27	1	26116-060304	BOLT, M6X 30 PLATED	1	1						
28	1	26717-060002	NUT, M6	1	1						
29	1	26717-060002	NUT, M6	3	3						

Fig.9. REDUCTION GEAR

(A)=JS-1071C,PQ  
(B)=JS-1071C,S-PQ  
(C)=

(D)=  
(E)=  
(F)=



No.	Lev.	Parts No.	Description	Q'ty						I	R
				(A)	(B)	(C)	(D)	(E)	(F)		
1	1	1N1570-21600	BEARING	2	2						
2	1	1N3390-23000	BEARING, GEAR	1	1						
3	1	1N3300-23050	SHAFT,COUNTER	1	1						
3-1	1	1N1A50-23500 (A=F510098) (B=F510098)	SHAFT ASSY,COUNTER	1	1						S
4	1	1N3840-23100	GEAR, PINION	1	1						
5	1	1N3850-23110	SHAFT, SLIDE	1	1						
6	1	1N3300-23120	PIN, SPRING 6AX18	1	1						
7	1	1N3850-23140	BEARING, 6202	1	1						
8	1	1N3400-23180	COLLAR,16X21X20	1	1						
9	1	1N3310-23200	GEAR,COUNTER	1	1						
10	1	1N3390-23300	GEAR, AXLE 84	1	1						
11	1	1N3390-23400	SEAL, GREASE 28A	1	1						
12	1	1N3840-23400	SUPPORT, SHAFT	1	1						
13	1	22117-120000	WASHER, 12	2	2						
14	1	22157-060000	WASHER, 6	2	2						
14-1	1	22157-060000	WASHER, 6	1	1						K
15	1	22242-000120	RING, 12	1	1						
16	1	22242-000200	RING, 20	1	1						
17	1	22451-160000	WIRE, 1.6	1	1						
18	1	22512-050260	KEY, 5X 26	1	1						
19	1	24104-060044	BEARING, BALL 6004UU	2	2						
20	1	24104-062024	BEARING, BALL 6202UU	1	1						
21	1	26013-060122	BOLT, M6X 12	5	5						
21-1	1	26013-060162 (A=F510098) (B=F510098)	BOLT, M6X 16	7	7						S
22	1	26013-060162	BOLT, M6X 16	2	2						
22-1	1	26013-060162 (A=F510098) (B=F510098)	BOLT, M6X 16	1	1						K
23	1	26014-060122	BOLT, M6X 12	4	4						
24	1	26051-060002	NUT, M6	2	2						

Fig.10. AXLE SHAFT

(A)=JS-1071C,PQ  
 (B)=JS-1071C,S-PQ  
 (C)=

(D)=  
 (E)=  
 (F)=

No.	Lev.	Parts No.	Description	Q'ty						I	R
				(A)	(B)	(C)	(D)	(E)	(F)		
1	1	1N3400-25000	AXLE	1	1						
2	1	1N3300-25100	JOINT 6004	1	1						
3	1	22242-000200	RING, 20	3	3						
4	1	24104-060044	BEARING, BALL 6004UU	1	1						
5	1	26013-060122	BOLT, M6X 12	3	3						

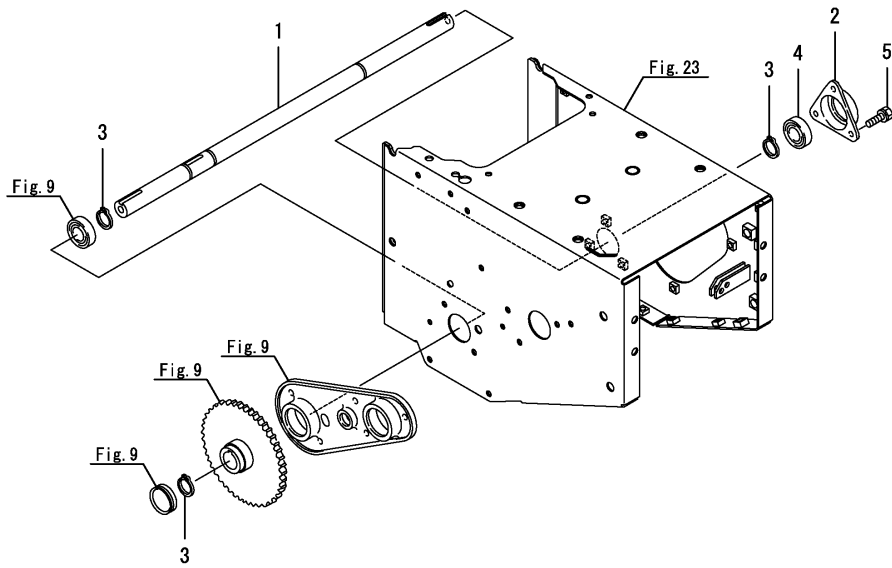
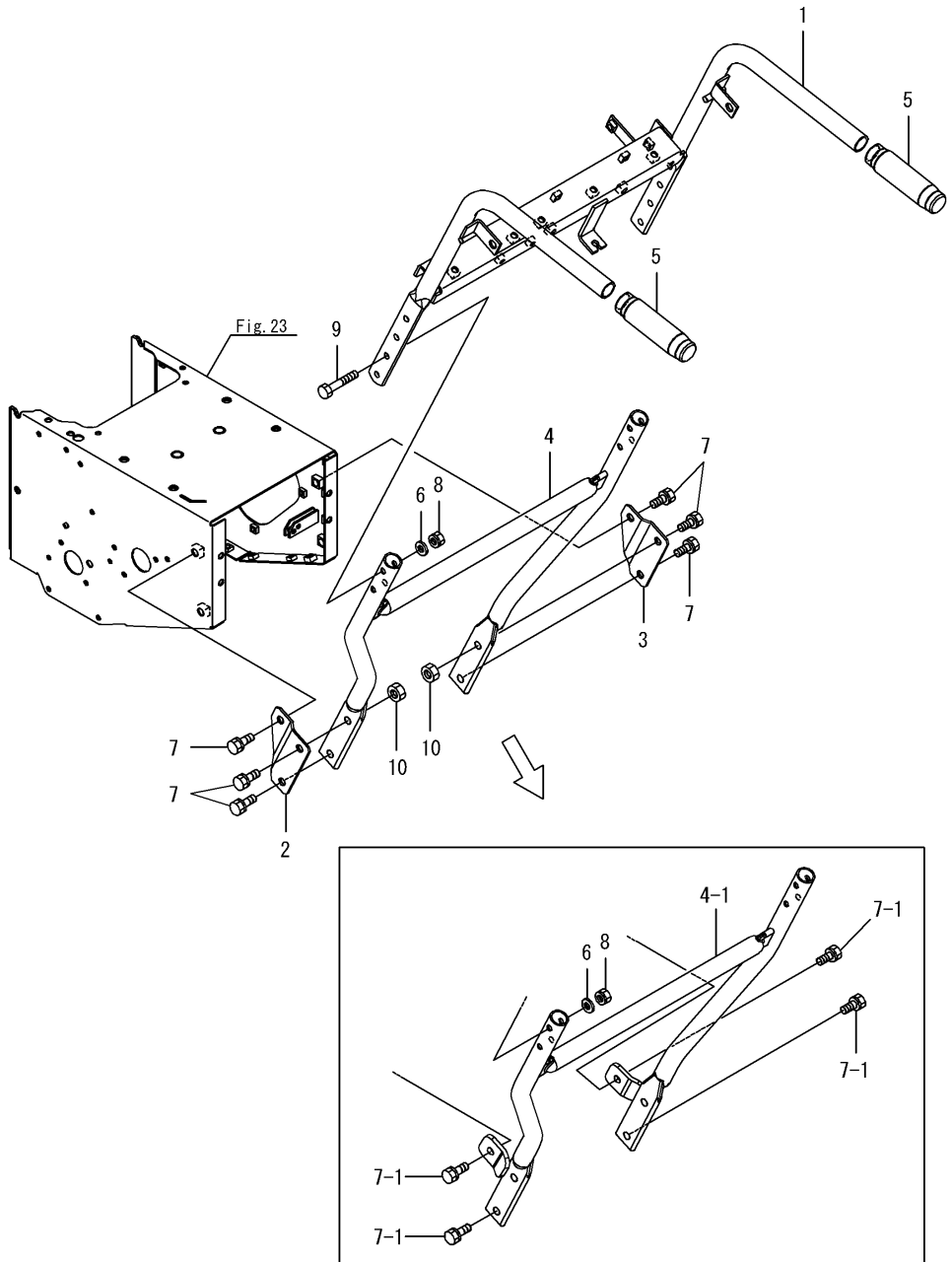


Fig.11. HANDLE

(A)=JS-1071C,PQ  
 (B)=JS-1071C,S-PQ  
 (C)=

(D)=  
 (E)=  
 (F)=



No.	Lev.	Parts No.	Description	Q'ty						I	R
				(A)	(B)	(C)	(D)	(E)	(F)		
1	1	1N1A10-30000	FRAME,HANDLE	1	1						
2	1	1N1A10-30110	PLATE,MOUNTING L	1	1						Z
		(A=F 510009)	(B=F 510009)								
3	1	1N1A10-30120	PLATE,MOUNTING R	1	1						Z
		(A=F 510009)	(B=F 510009)								
4	1	1N1A10-30200	FRAME,	1	1						
4-1	1	1N1A10-30201	FRAME,MOUNTING	1	1						N
		(A=F 510009)	(B=F 510009)								
5	1	1N1710-82140	GRIP BK-8,HANDLE	2	2						
6	1	22137-080000	WASHER, 8	4	4						
7	1	26013-100252	BOLT, M10X 25	6	6						
7-1	1	26013-100252	BOLT, M10X 25	4	4						K
		(A=F 510009)	(B=F 510009)								
8	1	26051-080002	NUT, M8	4	4						
9	1	26116-080452	BOLT, M8X 45 PLATED	4	4						
10	1	26717-100002	NUT, M10	2	2						Z
		(A=F 510009)	(B=F 510009)								

Fig.12. CONTROL PANEL

(A)=JS-1071C,PQ  
 (B)=JS-1071C,S-PQ  
 (C)=

(D)=  
 (E)=  
 (F)=

No.	Lev.	Parts No.	Description	Q'ty						I	R
				(A)	(B)	(C)	(D)	(E)	(F)		
1	1	1J3999-00040	BOLT 6X16 W/PLW+SPW.	4							
2	1	7N1A10-30300	PANEL, CONTROL	1							
3	1	1N3850-30350	STAY, L	1							
4	1	1N3850-30400	STAY, R	1							
5	1	26014-080202	BOLT, M8X 20	2							

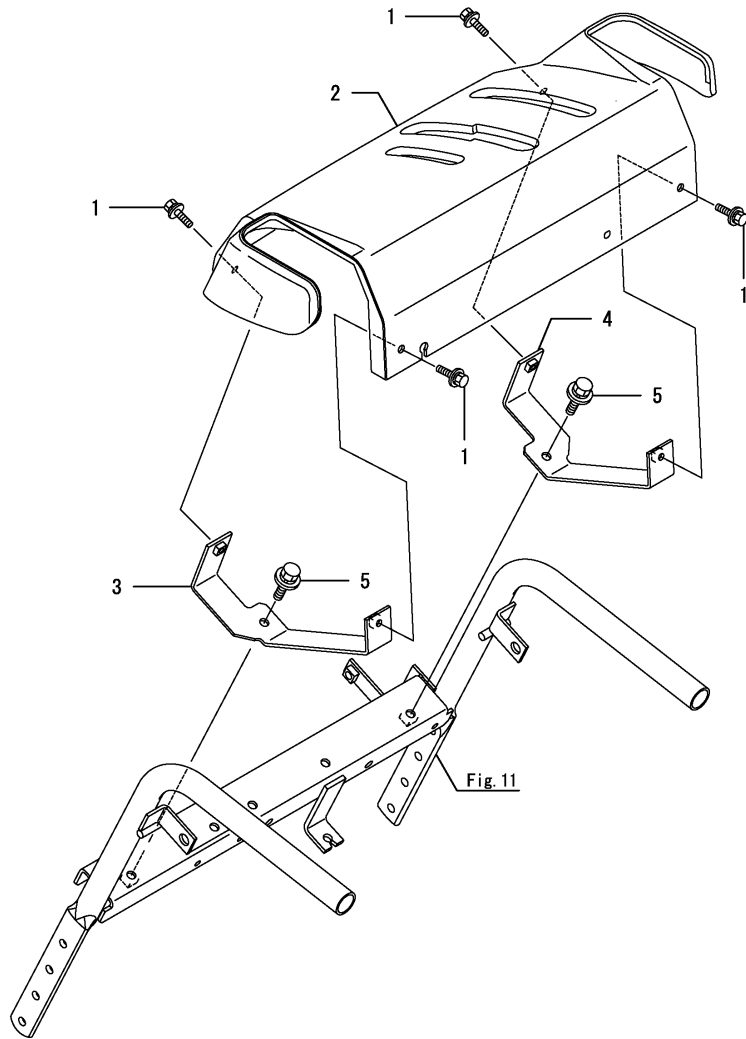




Fig.13. CONTROL PANEL(S)

(A)=JS-1071C,PQ  
 (B)=JS-1071C,S-PQ  
 (C)=

(D)=  
 (E)=  
 (F)=

No.	Lev.	Parts No.	Description	Q'ty						I	R
				(A)	(B)	(C)	(D)	(E)	(F)		
1	1	1J3999-00040	BOLT 6X16 W/PLW+SPW.		4						
2	1	1N3850-30350	STAY, L		1						
3	1	7N3790-30400	PANEL, CONTROL		1						
4	1	1N3850-30400	STAY, R		1						
5	1	26014-080202	BOLT, M8X 20		2						

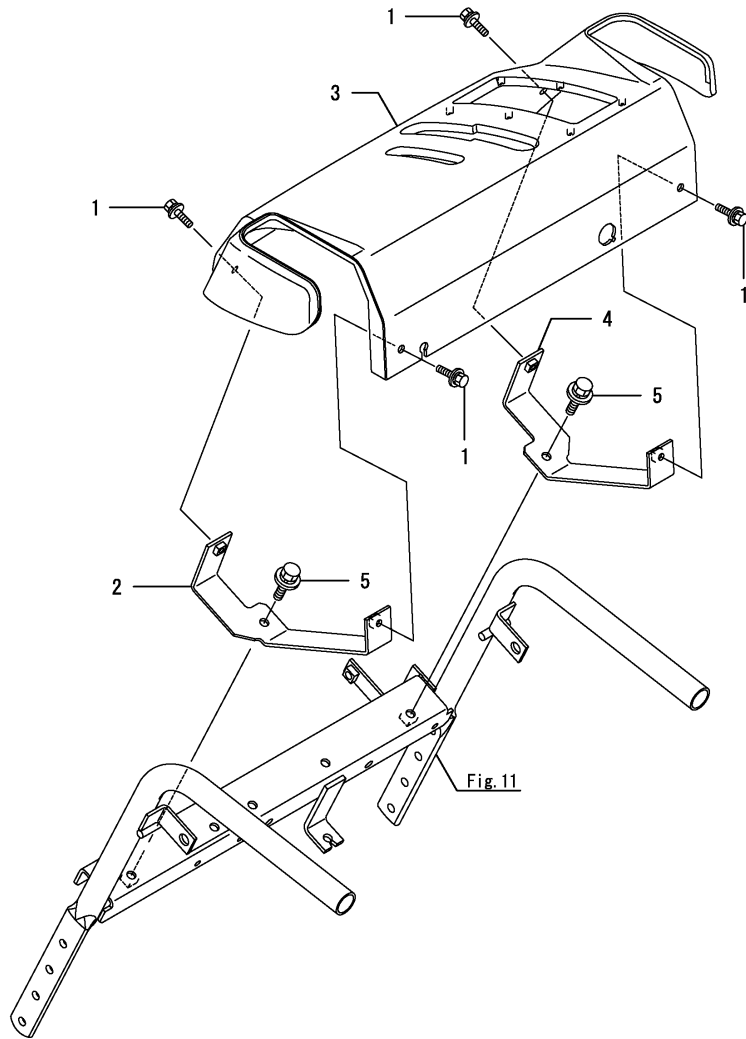
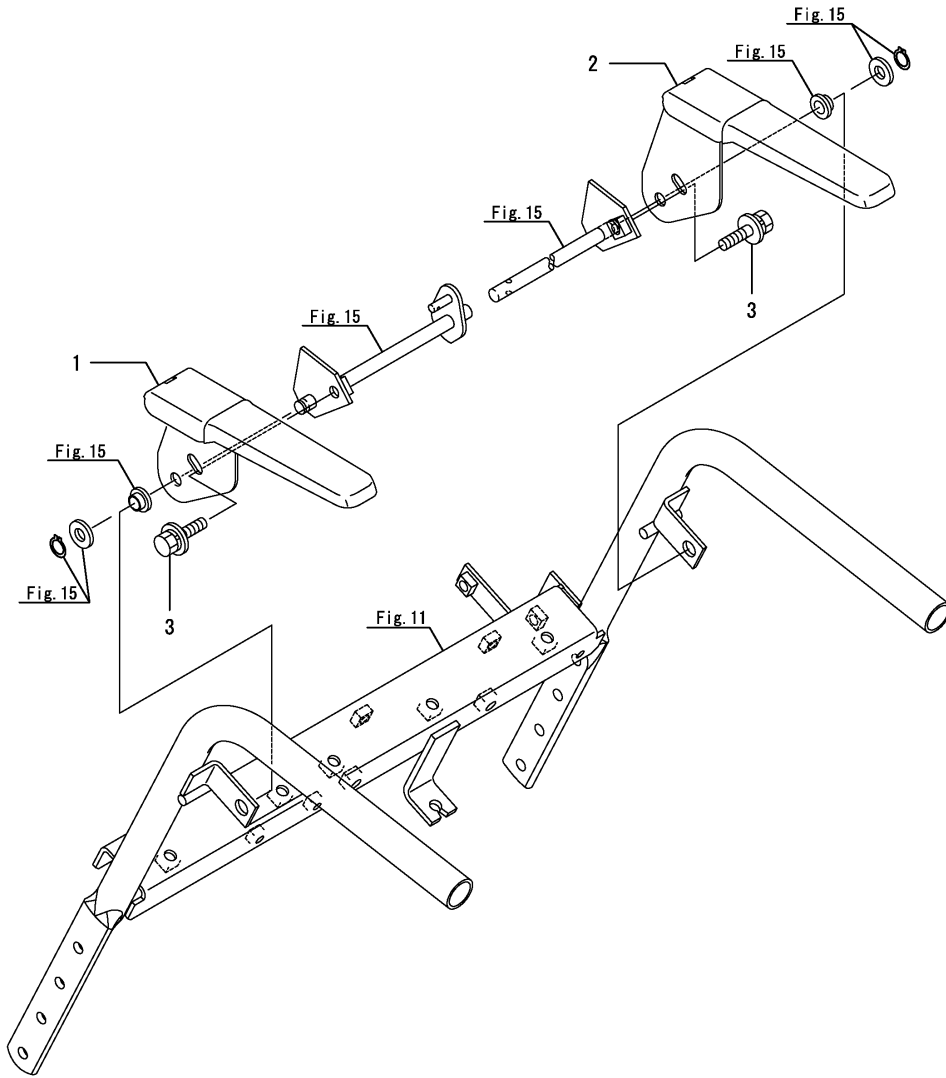


Fig.14. DEAD MAN LEVER

(A)=JS-1071C,PQ  
 (B)=JS-1071C,S-PQ  
 (C)=

(D)=  
 (E)=  
 (F)=



No.	Lev.	Parts No.	Description	Q'ty						I	R
				(A)	(B)	(C)	(D)	(E)	(F)		
1	1	1N3850-31000	LEVER, DEADMAN L	1	1						
2	1	1N3850-31100	LEVER, DEADMAN R	1	1						
3	1	26014-080202	BOLT, M8X 20	2	2						

---



---



---



---



---



---



---



---



---



---



---



---



---



---

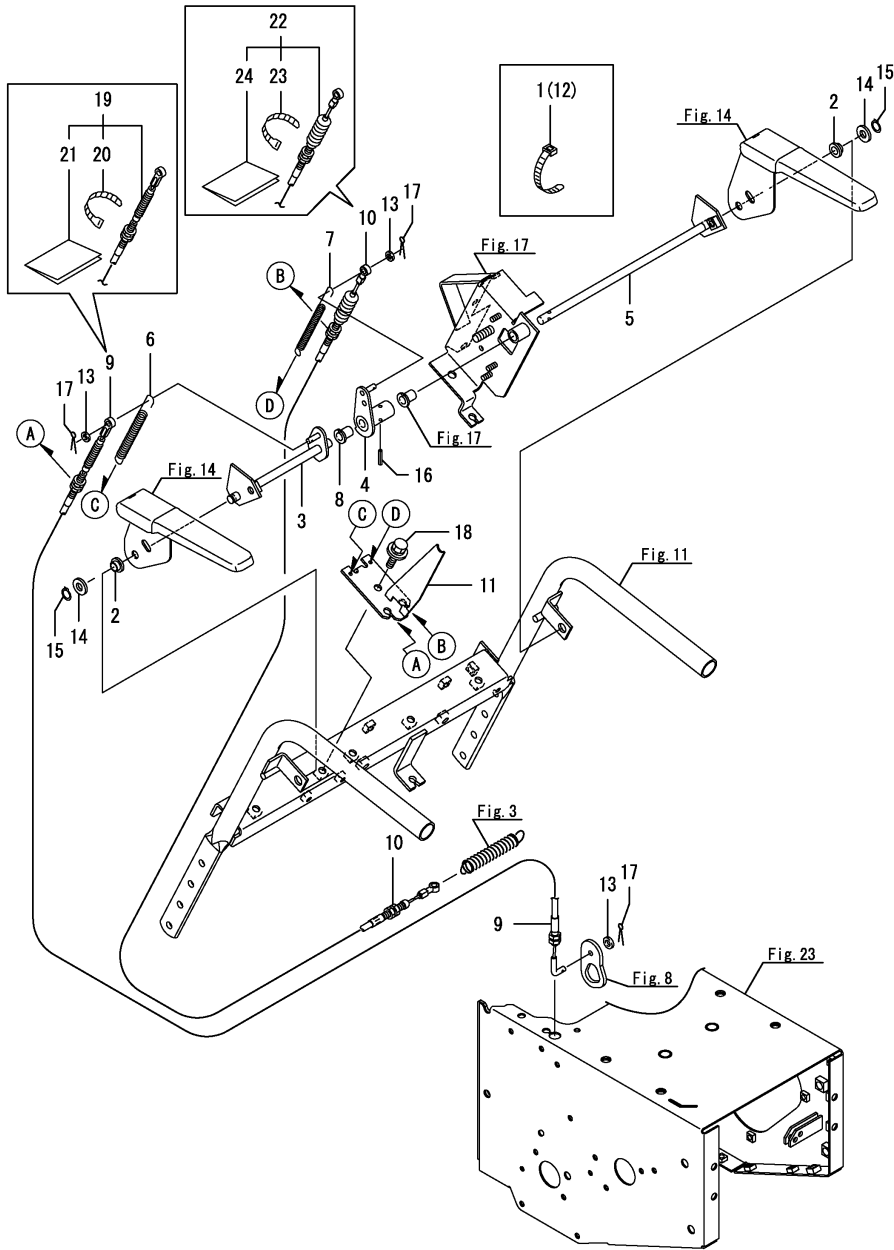


---



---

Fig.15. CLUTCH



(A)=JS-1071C,PQ  
 (B)=JS-1071C,S-PQ  
 (C)=

(D)=  
 (E)=  
 (F)=

No.	Lev.	Parts No.	Description	Q'ty						I	R
				(A)	(B)	(C)	(D)	(E)	(F)		
1	1	1J3999-07000	BAND 100B	2	2						
2	1	1N3440-21300	BUSH, 10X3	2	2						
3	1	1N3850-31200	SHAFT, CLUTCH	1	1						
4	1	1N3790-31300	CLUTCH, WORK	1	1						
5	1	1N3850-31300	SHAFT, CLUTCH	1	1						
6	1	1N3850-31451	SPRING, 11.5X140	1	1						
7	1	1N3850-31460	SPRING, 9X140	1	1						
8	1	1N3021-31580	BUSH 10X15,FLANGED	1	1						
9	1	1N1A10-31600	WIRE, TRAVELING	1	1						
10	1	1N3790-31650	WIRE, WORK	1	1						
11	1	1N3910-31701	MOUNT, WIRE	1	1						
12	1	1E6102-84970	BAND 140,WIRE LOCK	1	1						
13	1	22137-060000	WASHER, 6	3	3						
14	1	22137-100000	WASHER, 10	2	2						
15	1	22242-000100	RING, 10	2	2						
16	1	22351-040020	PIN, SPRING 4.0X20	1	1						
17	1	22417-200100	COTTER PIN 2.0X10	3	3						
18	1	26014-080202	BOLT, M8X 20	1	1						
19	1	7N1A10-31600	WIRE, TRAVELING	1	1						1
20	2	1J3999-07000	BAND 100B	1	1						1
21	2	1N3790-96870	CHART, BAND	1	1						1
22	1	7N3790-31650	WIRE, TRAVELING	1	1						1
23	2	1J3999-07000	BAND 100B	1	1						1
24	2	1N3790-96870	CHART, BAND	1	1						1

Remarks  
 (1) Spare parts.

Fig.16. CLUTCH LOCK

(A)=JS-1071C,PQ  
 (B)=JS-1071C,S-PQ  
 (C)=

(D)=  
 (E)=  
 (F)=

No.	Lev.	Parts No.	Description	Q'ty						I	R
				(A)	(B)	(C)	(D)	(E)	(F)		
1	1	1N3850-31751	SPRING, LOCK	1	1						
2	1	22157-060000	WASHER, 6	2	2						
3	1	26013-060162	BOLT, M6X 16	2	2						

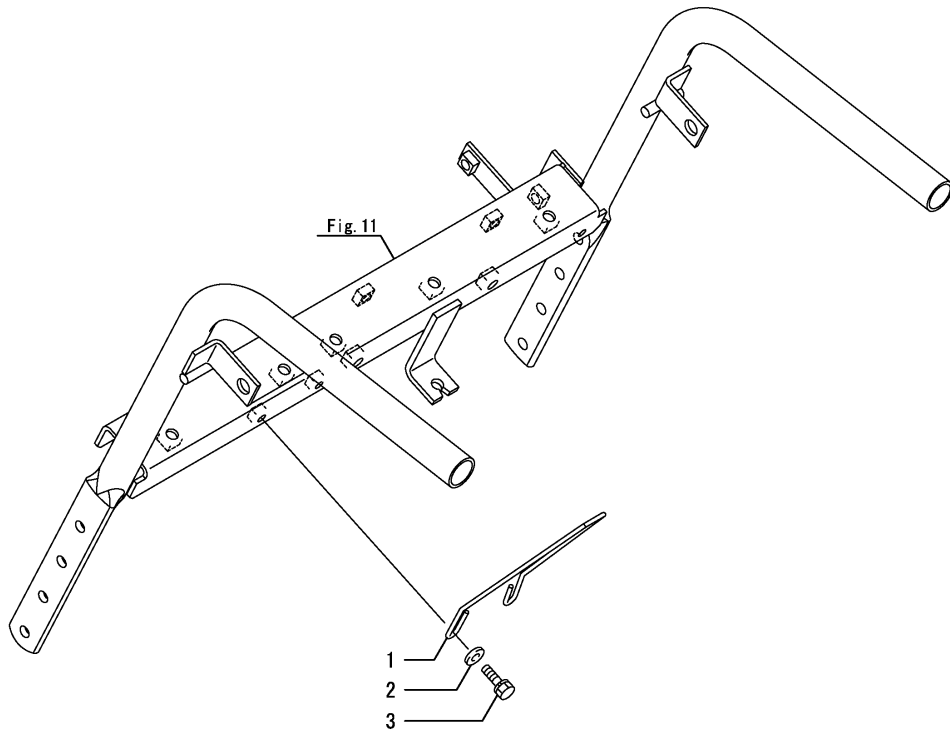
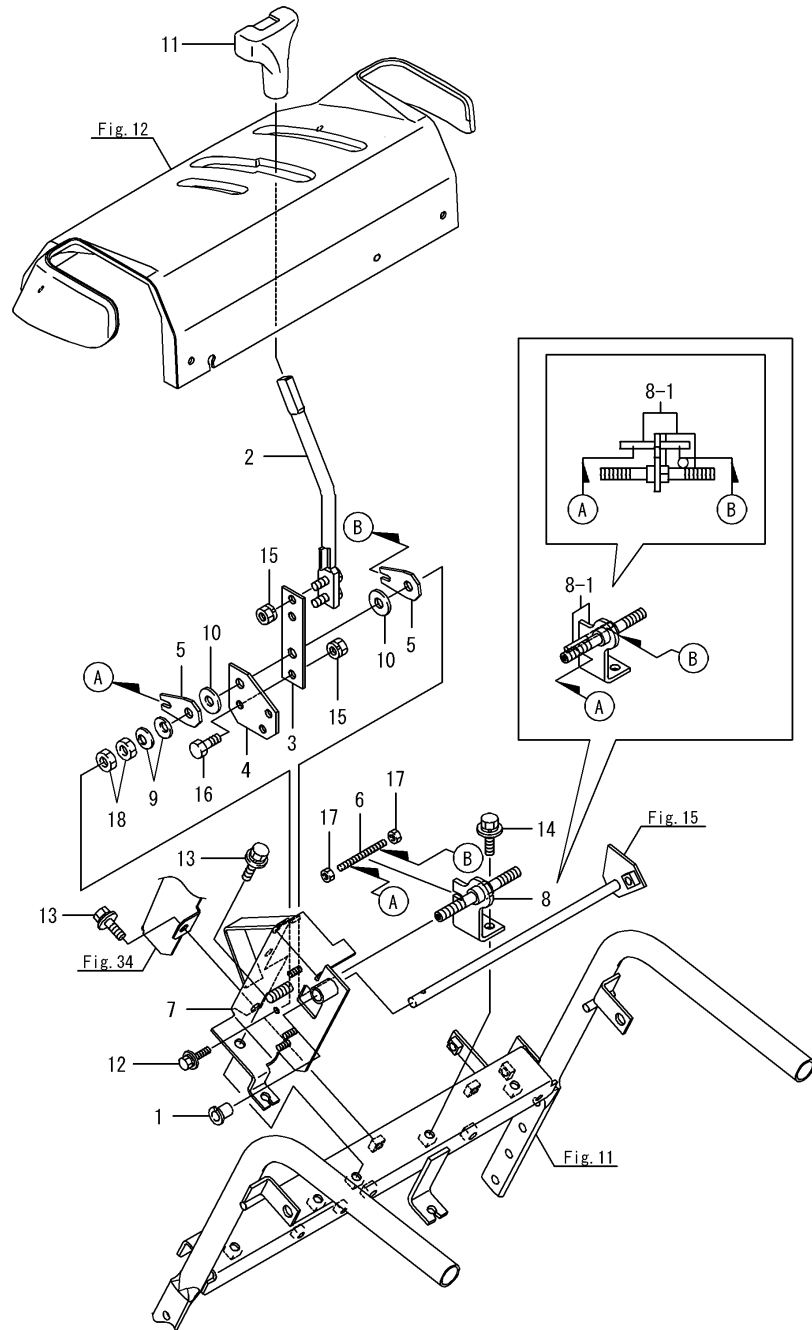


Fig.17. LEVER,CHANGE

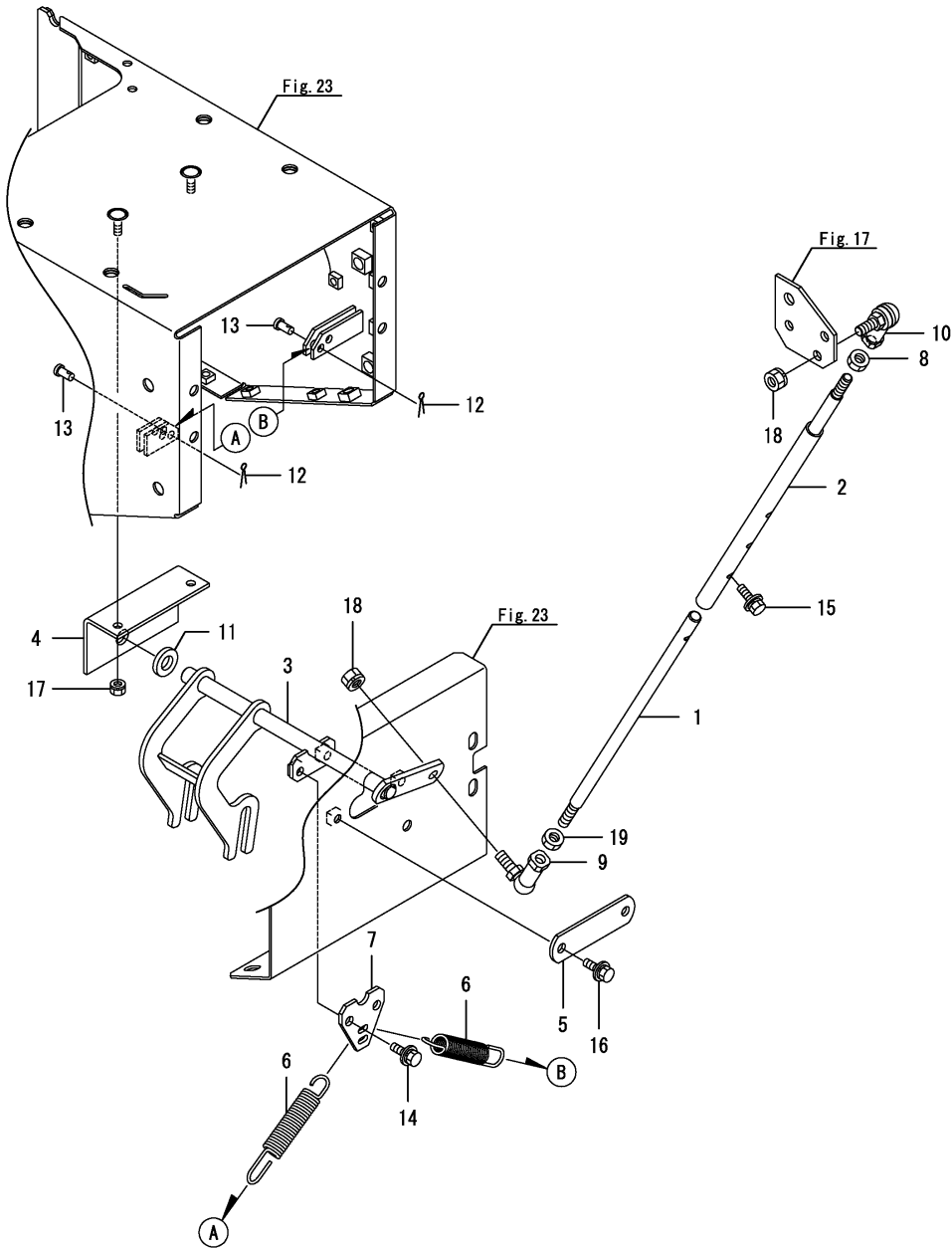
(A)=JS-1071C,PQ  
(B)=JS-1071C,S-PQ  
(C)=

(D)=  
(E)=  
(F)=



No.	Lev.	Parts No.	Description	Q'ty						I	R
				(A)	(B)	(C)	(D)	(E)	(F)		
1	1	1N3021-31580	BUSH 10X15,FLANGED	1	1						
2	1	1N3840-32000	LEVER, CHANGE	1	1						
3	1	1N3850-32050-1	SPRING, LEVER	1	1						
4	1	1N3850-32100	PLATE, MOUNTING	1	1						
5	1	1N3850-32150	WASHER, STOPPER	2	2						
6	1	1N3850-32160	SCREW, LOCK	1	1						Z
(A=F510080) (B=F510080)											
7	1	1N3790-32400	SUPPORT, FULCRUM	1	1						
8	1	1N3790-32450	FULCRUM, LEVER	1	1						
8-1	1	1N3790-32451	FULCRUM,LEVER	1	1						N
(A=F510080) (B=F510080)											
9	1	195385-35870	SPRING, 10	2	2						
10	1	1C7100-48250	PLATE, FRICTION	2	2						
11	1	1E9170-64750	GRIP, LEVER 13	1	1						
12	1	26014-060162	BOLT, M6X 16	1	1						
13	1	26014-080202	BOLT, M8X 20	2	2						
14	1	26014-080202	BOLT, M8X 20	1	1						
15	1	26051-080002	NUT, M8	3	3						
16	1	26116-080162	BOLT, M8X 16 PLATED	1	1						
17	1	26717-060002	NUT, M6	2	2						Z
(A=F510080) (B=F510080)											
18	1	26717-100002	NUT, M10	2	2						

Fig.18. CHANGE ROD



(A)=JS-1071C,PQ  
 (B)=JS-1071C,S-PQ  
 (C)=

(D)=  
 (E)=  
 (F)=

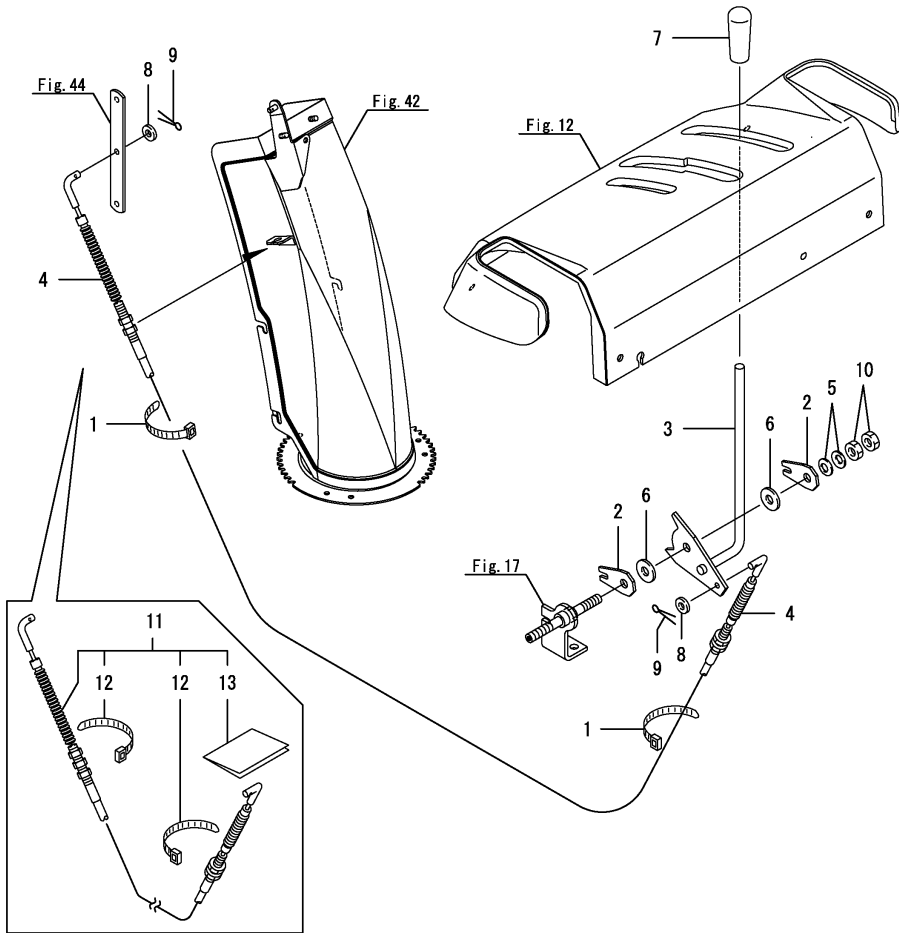
No.	Lev.	Parts No.	Description	Q'ty						I	R
				(A)	(B)	(C)	(D)	(E)	(F)		
1	1	1N1A10-32160	ROD,8	1	1						
2	1	1N1A10-32190	ROD,8L	1	1						
3	1	1N3840-32301	ARM, SLIDE	1	1						
4	1	1N1A10-32350	BEARING,SLIDE ARM	1	1						
5	1	1N3300-32500-1	GUIDE,ARM,SLIDE	1	1						
6	1	1N3840-32600	SPRING, 14X98	2	2						
7	1	1N3840-32650	ARM, SPRING	1	1						
8	1	1N1570-32950	NUT 8	1	1						
9	1	1E4760-43090	BALL RBL8,LINK	1	1						
10	1	1E6740-64200	BALL, LINK	1	1						
11	1	22117-120000	WASHER, 12	1	1						
12	1	22417-160100	COTTER PIN	2	2						
13	1	22487-060120	PIN, H 6X 12	2	2						
14	1	26014-060162	BOLT, M6X 16	2	2						
15	1	26014-060162	BOLT, M6X 16	1	1						
16	1	26014-060162	BOLT, M6X 16	2	2						
17	1	26051-060002	NUT, M6	2	2						
18	1	26051-080002	NUT, M8	2	2						
19	1	26717-080002	NUT, M8	1	1						

Fig.19. CHUTE LEVER

(A)=JS-1071C,PQ  
 (B)=JS-1071C,S-PQ  
 (C)=

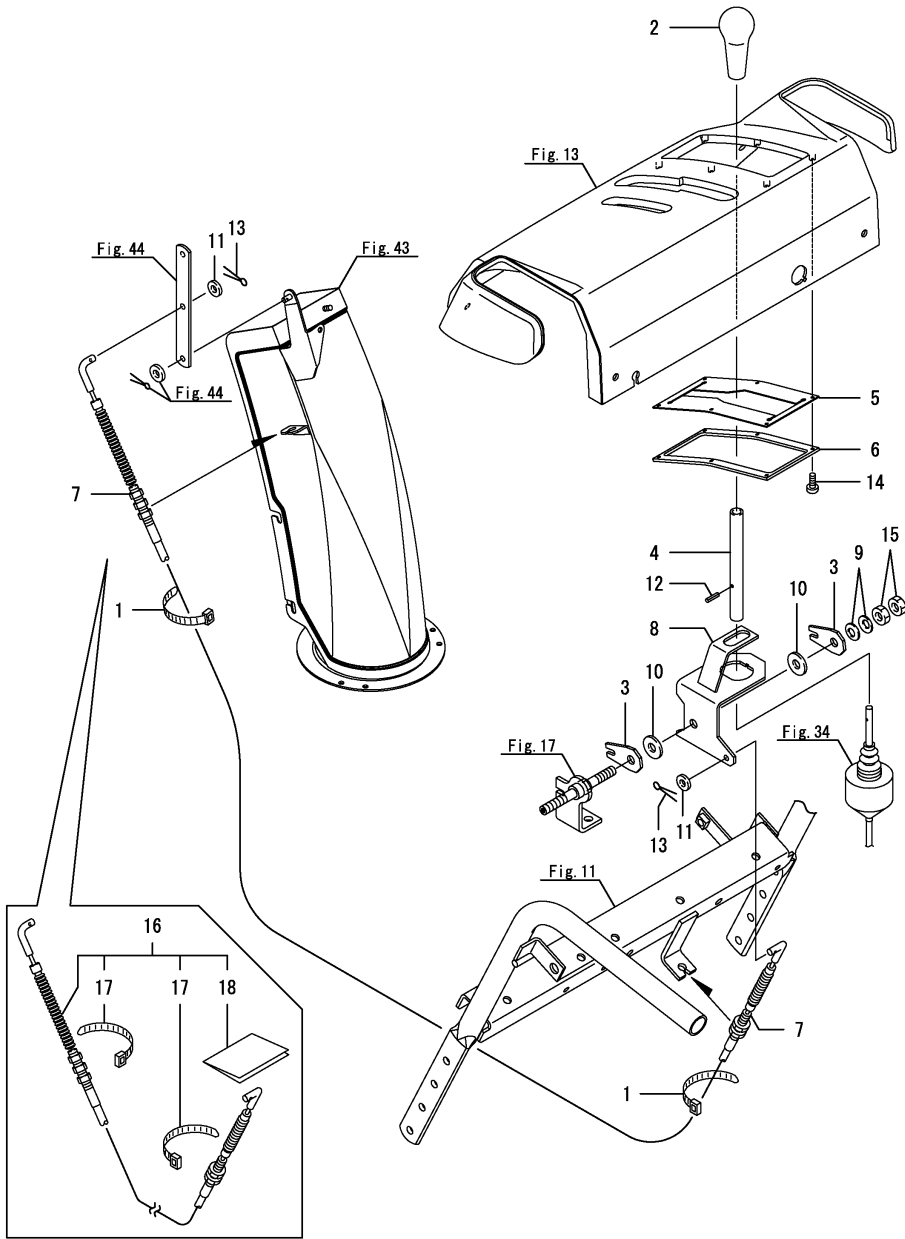
(D)=  
 (E)=  
 (F)=

No.	Lev.	Parts No.	Description	Qty						I	R
				(A)	(B)	(C)	(D)	(E)	(F)		
1	1	1J3999-07000	BAND 100B	2							
2	1	1N3850-32150	WASHER, STOPPER	2							
3	1	1N3850-34000	LEVER, CHUTE	1							
4	1	1N3790-34200	WIRE, CHUTE	1							
5	1	195385-35870	SPRING, 10	2							
6	1	1C7100-48250	PLATE, FRICTION	2							
7	1	1A1102-57100	GRIP,MN.CLUTCH LEVER	1							
8	1	22137-060000	WASHER, 6	2							
9	1	22417-200100	COTTER PIN 2.0X10	2							
10	1	26717-100002	NUT, M10	2							
11	1	7N3790-34200	WIRE, CHUTE	1							1
12	2	1J3999-07000	BAND 100B	2							1
13	2	1N3790-96870	CHART, BAND	1							1



Remarks  
 (1) Spare parts.

Fig.20. CHUTE LEVER(S)



(A)=JS-1071C,PQ  
 (B)=JS-1071C,S-PQ  
 (C)=

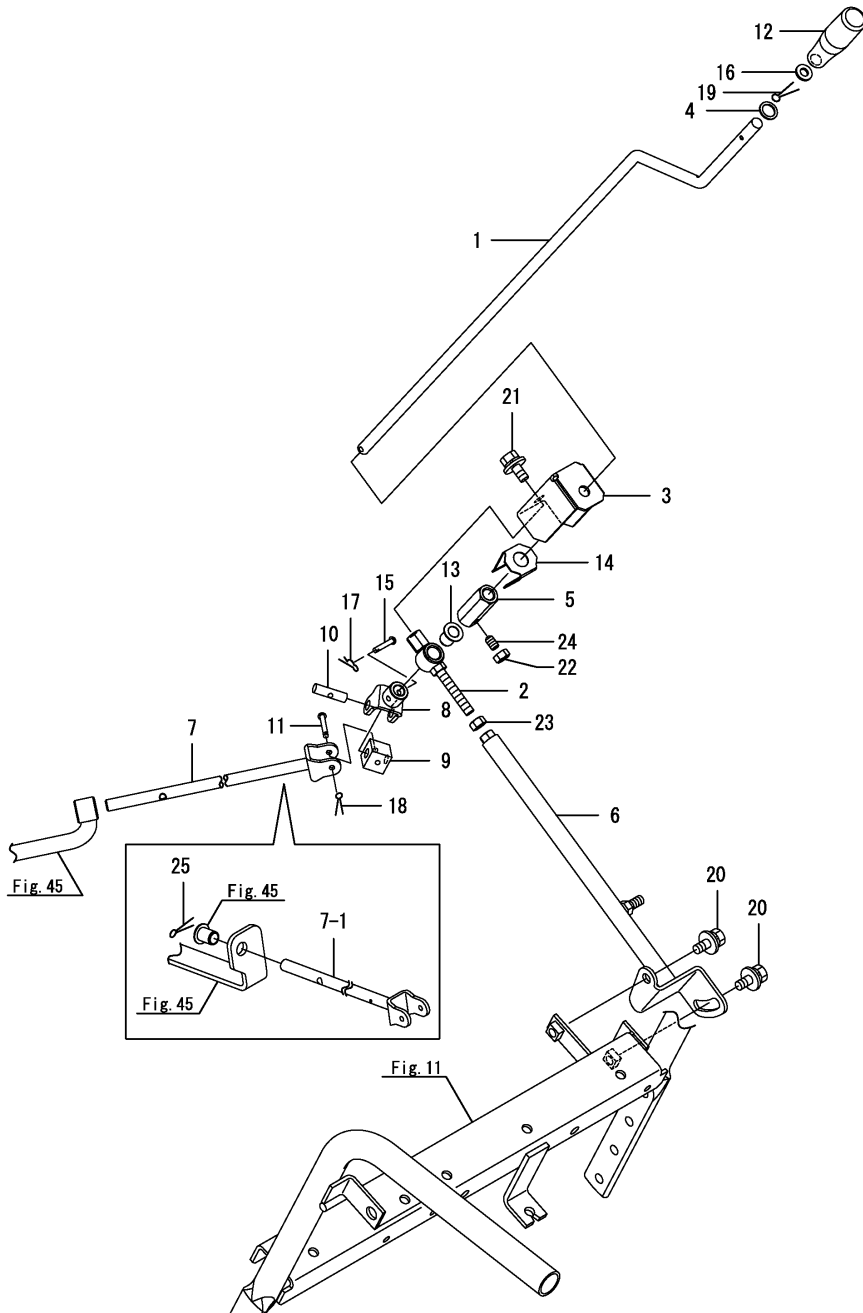
(D)=  
 (E)=  
 (F)=

No.	Lev.	Parts No.	Description	Q'ty						I	R
				(A)	(B)	(C)	(D)	(E)	(F)		
1	1	1J3999-07000	BAND 100B		2						
2	1	1E4060-26430	GRIP, LEVER		1						
3	1	1N3850-32150	WASHER, STOPPER		2						
4	1	1N3335-34100	LEVER, CHUTE E		1						
5	1	1N3860-34151	RUBBER, SLIDE		1						
6	1	1N3860-34160	RETAINER, RUBBER		1						
7	1	1N3790-34200	WIRE, CHUTE		1						
8	1	1N3860-34201	ARM, CHUTE		1						
9	1	195385-35870	SPRING, 10		2						
10	1	1C7100-48250	PLATE, FRICTION		2						
11	1	22137-060000	WASHER, 6		2						
12	1	22351-030012	PIN, SPRING 3.0X12		1						
13	1	22417-200100	COTTER PIN 2.0X10		2						
14	1	22857-300080	SCREW, 3X 8		6						
15	1	26717-100002	NUT, M10		2						
16	1	7N3790-34200	WIRE, CHUTE		1						1
17	2	1J3999-07000	BAND 100B		2						1
18	2	1N3790-96870	CHART, BAND		1						1

Remarks  
 (1) Spare parts.



Fig.21. CHUTE HANDLE

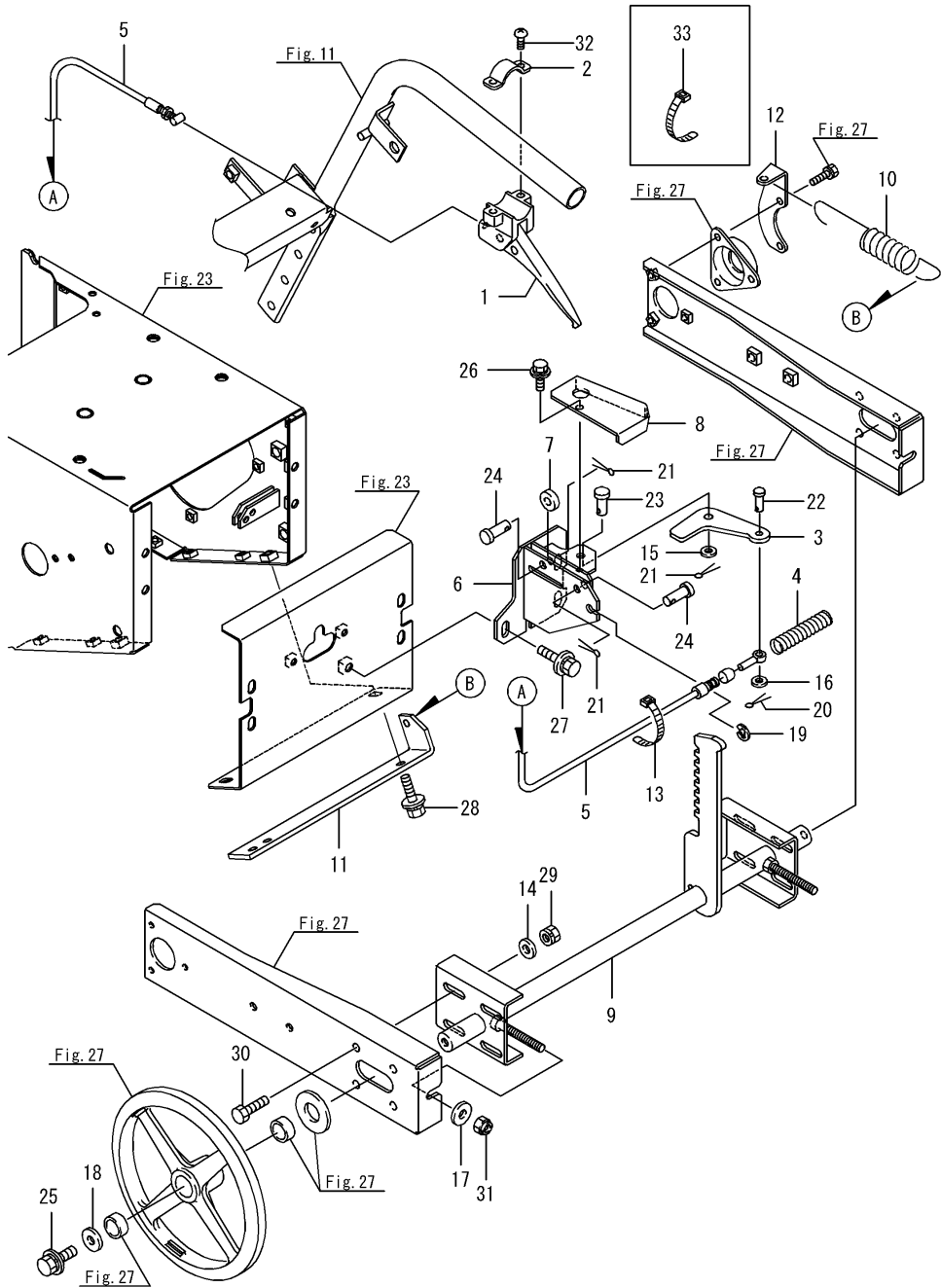


(A)=JS-1071C,PQ  
(B)=JS-1071C,S-PQ  
(C)=

(D)=  
(E)=  
(F)=

No.	Lev.	Parts No.	Description	Q'ty						I	R
				(A)	(B)	(C)	(D)	(E)	(F)		
1	1	1N1A10-34350	HANDLE,CHUTE	1							
2	1	1N1A10-34370	SUPPORT,HANDLE	1							
3	1	1N1A10-34380	GUIDE,HANDLE	1							
3-1	1	1N1A10-34381	GUIDE,HANDLE	1							N
(A=*2014.02)											
4	1	1N3021-34390	SPACER 10X14X1	1							
5	1	1N1A10-34500	STOPPER,HANDLE	1							
6	1	1N3390-34500	STAY,CHUTE HANDLE	1							
7	1	1N1A10-34600	JOINT ROD,CHUTE	1							
7-1	1	1N1A10-34601	ROD,JOINT	1							N
(A=*2014.02)											
8	1	1N3330-34651	JOINT, CONNECTING	1							
9	1	1N3330-34700	JOINT FULCRUM	1							
10	1	1N3021-34710	JOINT FULCRUM,PIN 8	1							
11	1	1N3021-34720	RIVET 4X27.5	1							
12	1	1N1711-35520	GRIP,SHOOT	1							
13	1	1F5300-43300	BUSH 1015	1							
14	1	1C1011-53430	SPRING	1							
15	1	1N3260-73250	RIVET 4X19.5	1							
16	1	22137-060000	WASHER, 6	1							
17	1	22372-040000	PIN, SNAP 4	1							
18	1	22417-200100	COTTER PIN 2.0X10	1							
19	1	22417-200160	PIN, COTTER 2.0X16	1							
20	1	26014-080162	BOLT, M8X 16	2							
21	1	26014-080162	BOLT, M8X 16	1							
22	1	26717-060002	NUT, M6	1							
23	1	26717-080002	NUT, M8	1							
24	1	26979-060102	SCREW, M6X10	1							
25	1	22417-200160	PIN, COTTER 2.0X16	1							W
(A=*2014.02)											

Fig.22. LIFTING

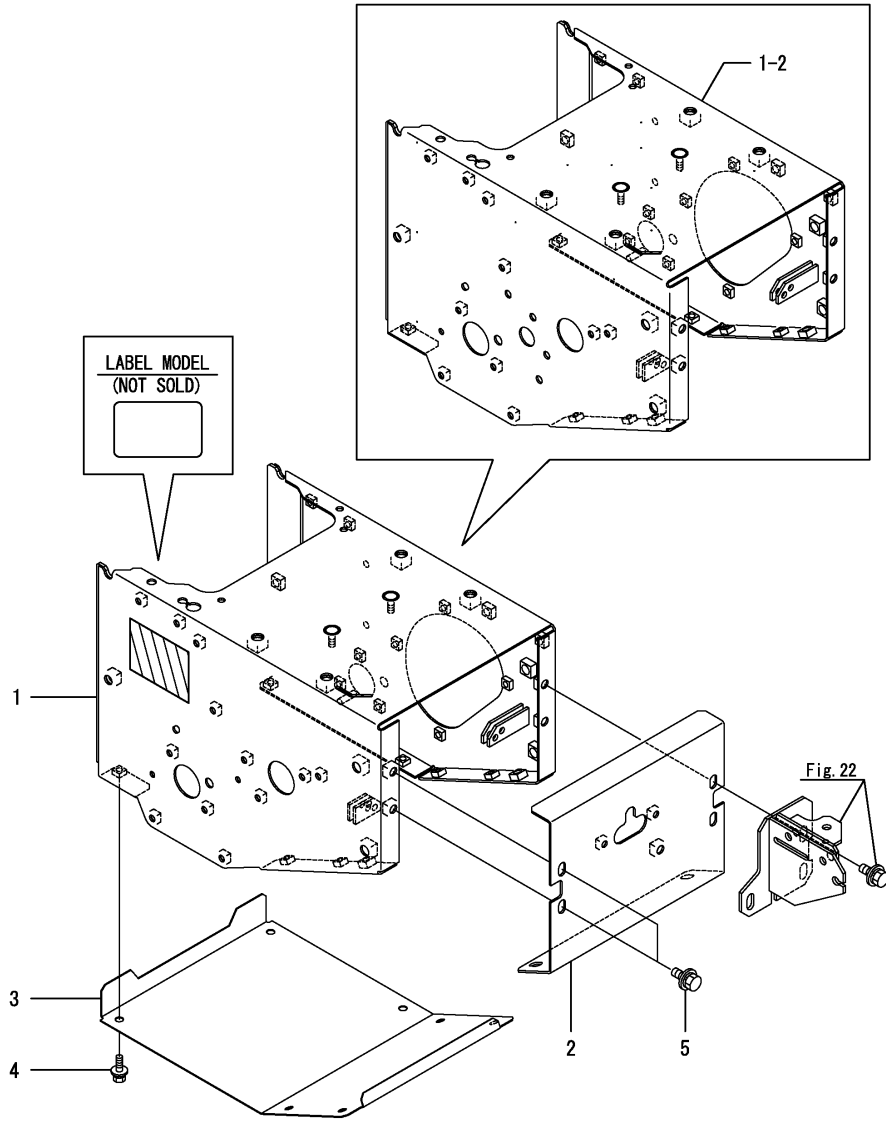


(A)=JS-1071C,PQ  
(B)=JS-1071C,S-PQ  
(C)=

(D)=  
(E)=  
(F)=

No.	Lev.	Parts No.	Description	Q'ty						I	R
				(A)	(B)	(C)	(D)	(E)	(F)		
1	1	1N3390-35000	LEVER,LIFT	1	1						
2	1	1N3390-35060	PLATE	1	1						
3	1	1N3390-35100-1	PLATE,STOPPER	1	1						
4	1	1N3390-35150	SPRING,15X70	1	1						
5	1	1N3390-35250	WIRE,LIFTING	1	1						
6	1	1N1A10-35300	SUPPORT, LIFTING	1	1						
7	1	1N3390-35400	COLLER,GUIDE	1	1						
8	1	1N1A10-35450	COVER,LIFT	1	1						
9	1	1N3400-35501	SHAFT, IDLER	1	1						
10	1	1N3390-35600	SPRING,LIFT	1	1						
11	1	1N3390-35650-1	STAY,SPRING A	1	1						
12	1	1N3390-35700-1	STAY,SPRING B	1	1						
13	1	1A1490-40540	BAND 180,WIRE LOCK	1	1						
14	1	22137-080000	WASHER, 8	8	8						
15	1	22137-080000	WASHER, 8	1	1						
16	1	22157-060000	WASHER, 6	1	1						
17	1	22157-080000	WASHER, 8	2	2						
18	1	22157-080000	WASHER, 8	2	2						
19	1	22272-000060	RING, E- 6	1	1						
20	1	22417-160100	COTTER PIN	1	1						
21	1	22417-200160	PIN, COTTER 2.0X16	3	3						
22	1	22487-060160	PIN, H 6X 16	1	1						
23	1	22487-080120	PIN, H 8X 12	1	1						
24	1	22487-080160	PIN, H 8X 16	2	2						
25	1	26013-080252	BOLT, M8X 25	2	2						
26	1	26014-060122	BOLT, M6X 12	1	1						
27	1	26014-080202	BOLT, M8X 20	3	3						
28	1	26014-080202	BOLT, M8X 20	2	2						
29	1	26051-080002	NUT, M8	8	8						
30	1	26116-080202	BOLT, M8X 20 PLATED	8	8						
31	1	26347-080002	NUT, M8	2	2						
32	1	26557-060252	SCREW, M6X25	2	2						
33	1	1E6102-84970	BAND 140,WIRE LOCK	1	1						

Fig.23. CHASSIS FRAME

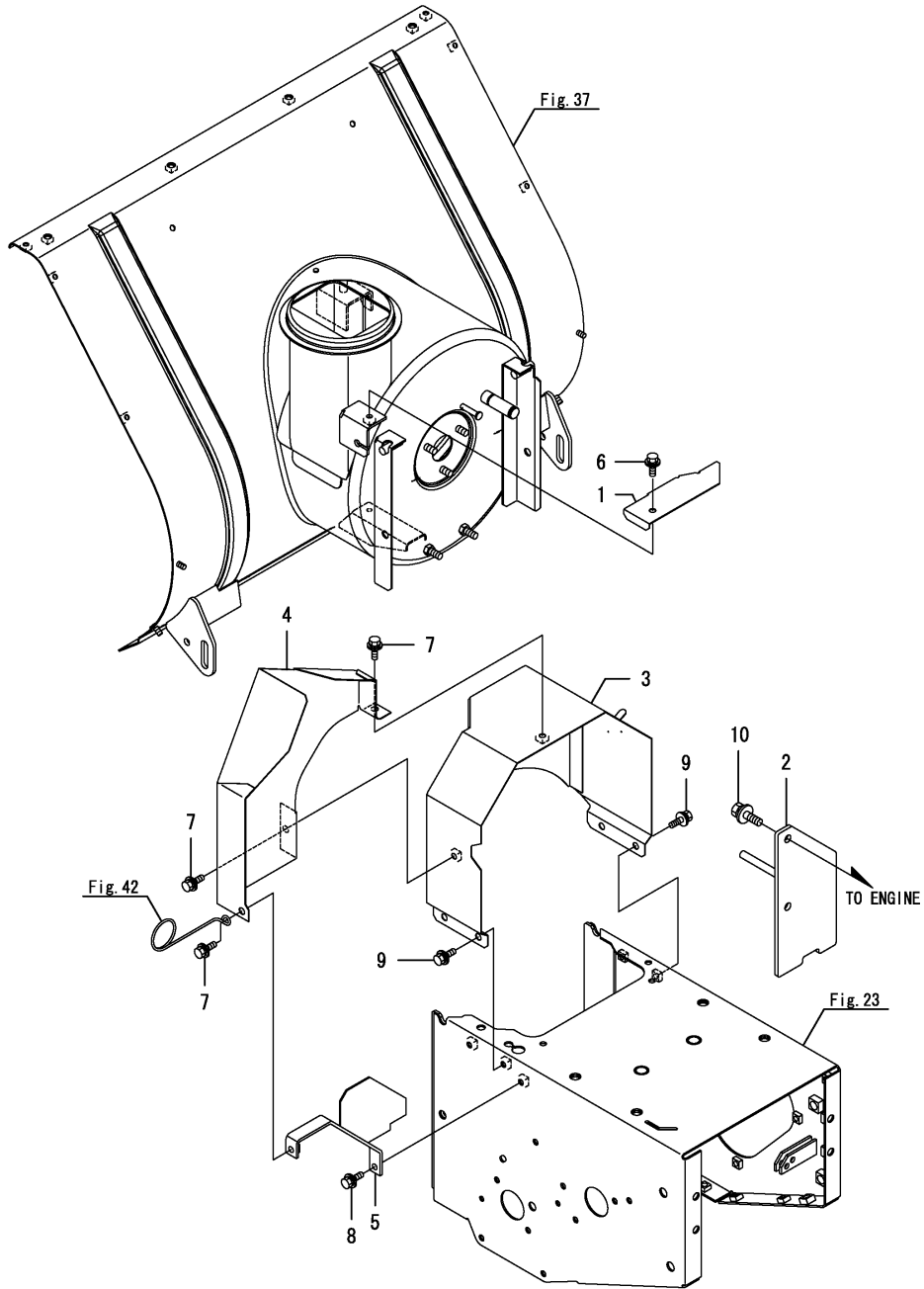


(A)=JS-1071C,PQ  
(B)=JS-1071C,S-PQ  
(C)=

(D)=  
(E)=  
(F)=

No.	Lev.	Parts No.	Description	Q'ty						I	R
				(A)	(B)	(C)	(D)	(E)	(F)		
1	1	1N1A10-36000	CHASSIS,	1	1						
1-1	1	1N1A10-36001	CHASSIS,	1	1						N
		(A=F510009) (B=F510009)									
1-2	1	1N1A10-36002	CHASSIS,	1	1						S
		(A=F510098) (B=F510098)									
2	1	1N1A10-36100	CHASSIS,REAR	1	1						
3	1	1N1A10-36200	PLATE,BOTTOM	1	1						
4	1	26014-060162	BOLT, M6X 16	7	7						
5	1	26014-080202	BOLT, M8X 20	2	2						

Fig.24. BELT COVER



(A)=JS-1071C,PQ  
(B)=JS-1071C,S-PQ  
(C)=

(D)=  
(E)=  
(F)=

No.	Lev.	Parts No.	Description	Q'ty						I	R
				(A)	(B)	(C)	(D)	(E)	(F)		
1	1	1N1A10-37060	COVER,BELT 2	1	1						
2	1	1N1A10-37100	COVER,BELT 3	1	1						
3	1	7N1A10-37100	COVER, BELT	1	1						
4	1	7N3790-37300	COVER,	1	1						
5	1	1N1A10-37350	STAY,COVER	1	1						
6	1	26014-060162	BOLT, M6X 16	1	1						
7	1	26014-060162	BOLT, M6X 16	3	3						
8	1	26014-060162	BOLT, M6X 16	1	1						
9	1	26014-060162	BOLT, M6X 16	4	4						
10	1	26014-080202	BOLT, M8X 20	2	2						

Fig.25. GEAR COVER

(A)=JS-1071C,PQ  
 (B)=JS-1071C,S-PQ  
 (C)=

(D)=  
 (E)=  
 (F)=

No.	Lev.	Parts No.	Description	Q'ty						I	R
				(A)	(B)	(C)	(D)	(E)	(F)		
1	1	1N3390-37100-1	COVER,GEAR	1	1						
2	1	26014-060162	BOLT, M6X 16	4	4						

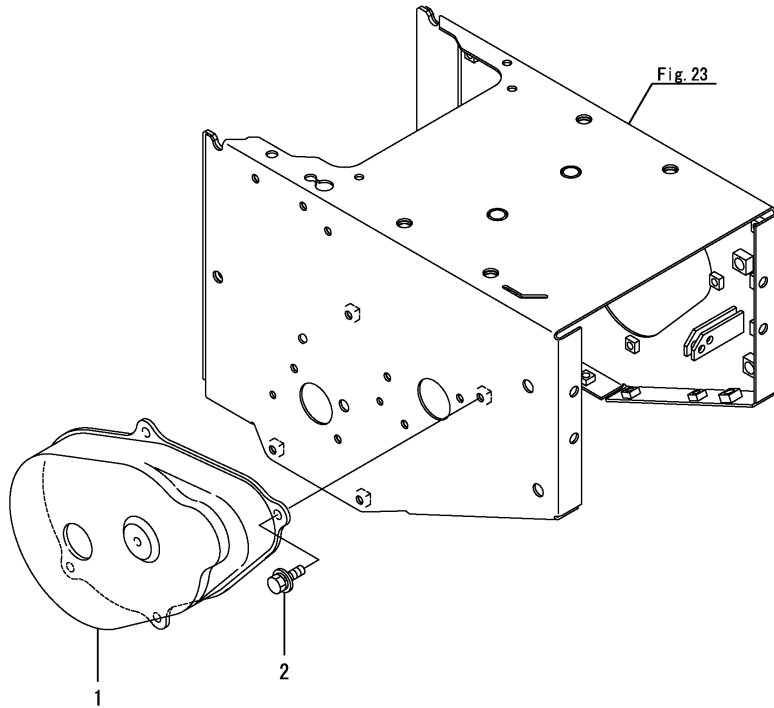


Fig.26. CRAWLER

(A)=JS-1071C,PQ  
 (B)=JS-1071C,S-PQ  
 (C)=

(D)=  
 (E)=  
 (F)=

No.	Lev.	Parts No.	Description	Q'ty						I	R
				(A)	(B)	(C)	(D)	(E)	(F)		
1	1	1N3360-38000	CRAWLER	2	2						

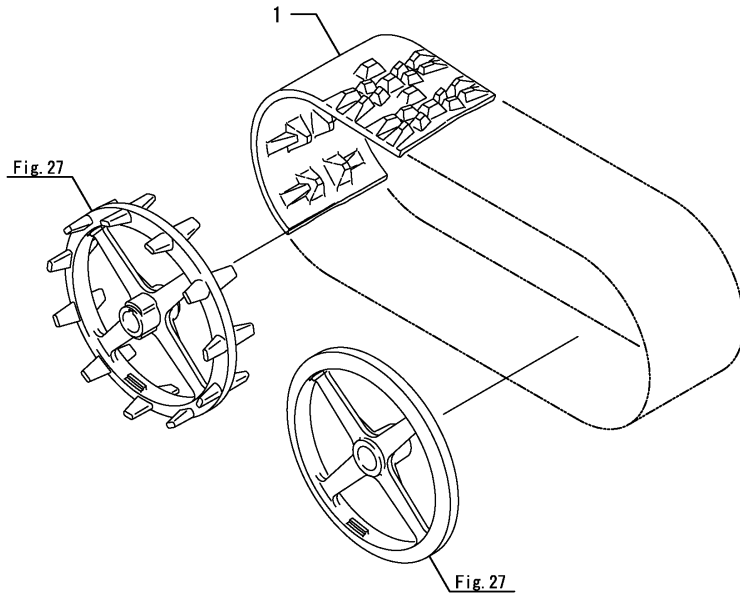


Fig.27. CRAWLER FRAME

(A)=JS-1071C,PQ  
 (B)=JS-1071C,S-PQ  
 (C)=

(D)=  
 (E)=  
 (F)=

No.	Lev.	Parts No.	Description	Q'ty						I	R
				(A)	(B)	(C)	(D)	(E)	(F)		
1	1	1N3300-25100	JOINT 6004	2	2						
2	1	1N3390-38200-1	FRAME,CRAWLER	2	2						
3	1	1N3400-38400	COLLAR 20X25X44.7	1	1						
4	1	1N3400-38450	COLLAR,20X25X73	1	1						
5	1	1N1723-38500-1	SPROCKET, 11-43	2	2						
6	1	1N3021-38600-1	WHEEL	2	2						
7	1	22137-200000	WASHER, 20	2	2						
8	1	22157-080000	WASHER, 8	2	2						
9	1	22550-050300	KEY 5X30	2	2						
10	1	24104-060044	BEARING, BALL 6004UU	2	2						
11	1	24550-020100	BUSH, 20X10	4	4						
12	1	26013-060162	BOLT, M6X 16	6	6						
12-1	1	26014-060162	BOLT, M6X 16	6	6						N
		(A=FXXXXX)	(B=FXXXXX)								
13	1	26013-080252	BOLT, M8X 25	2	2						

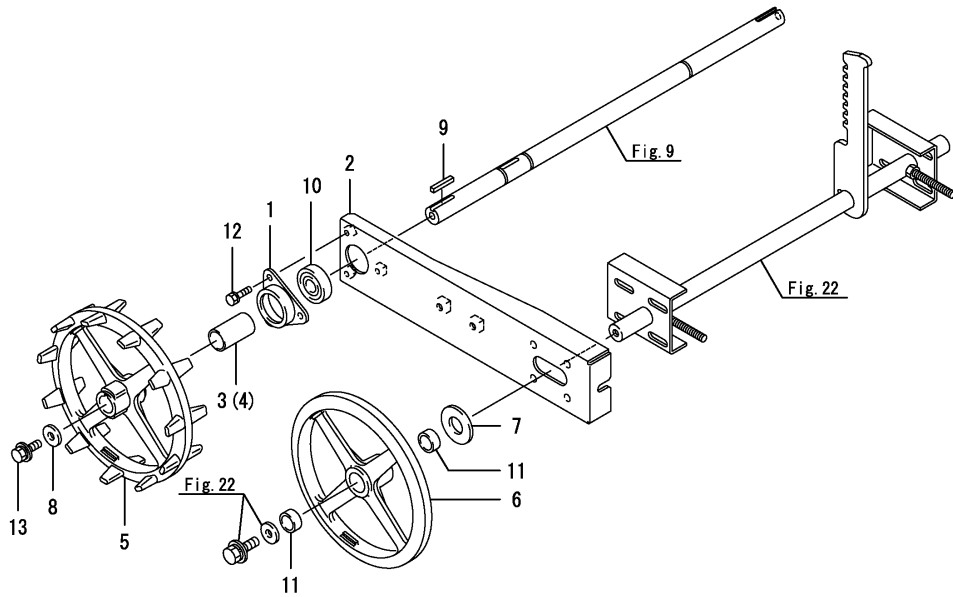


Fig.28. CRAWLER GUIDE

(A)=JS-1071C,PQ  
 (B)=JS-1071C,S-PQ  
 (C)=

(D)=  
 (E)=  
 (F)=

No.	Lev.	Parts No.	Description	Q'ty						I	R
				(A)	(B)	(C)	(D)	(E)	(F)		
1	1	1N3790-38500	GUIDE, CRAWLER	2	2						
2	1	26014-080202	BOLT, M8X 20	4	4						

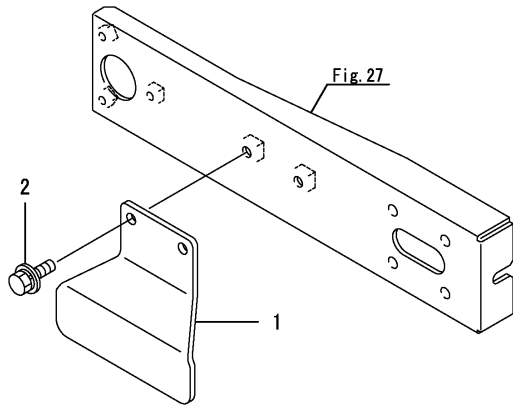
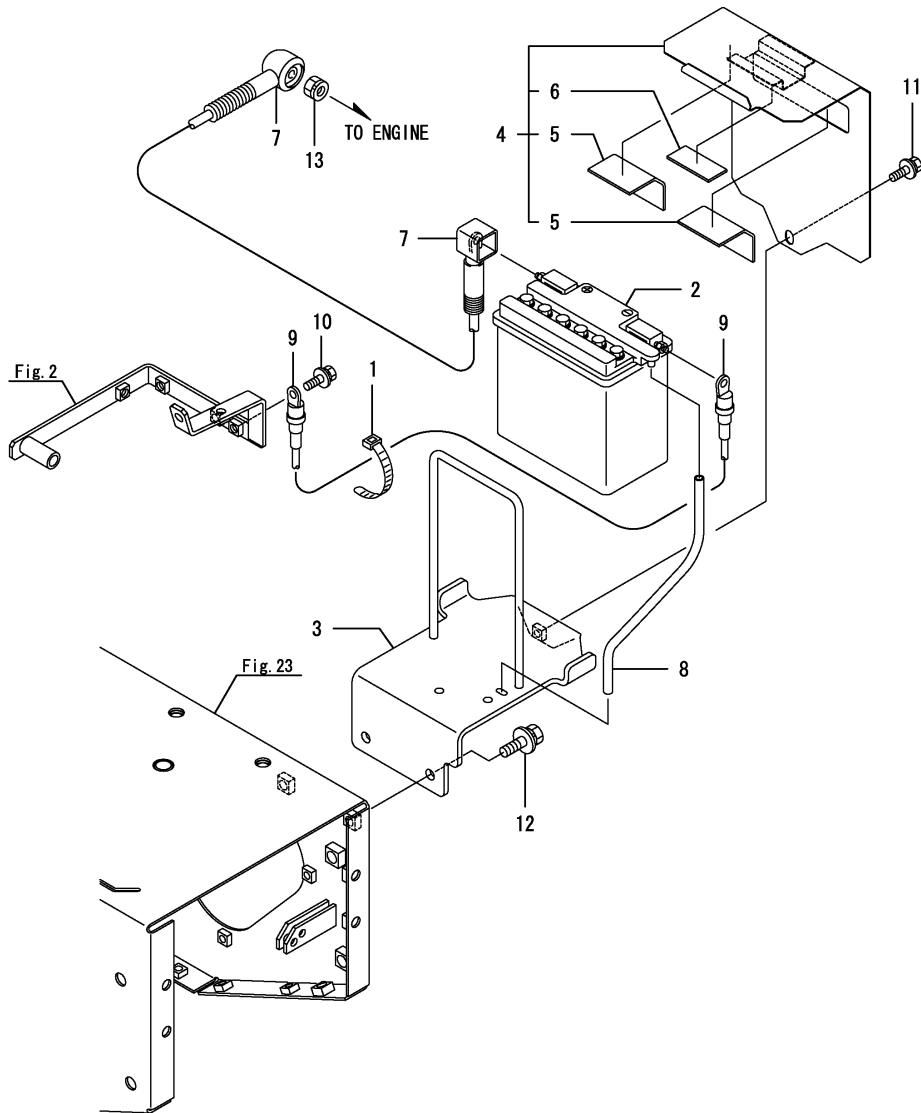




Fig.29. BATTERY

(A)=JS-1071C,PQ  
(B)=JS-1071C,S-PQ  
(C)=

(D)=  
(E)=  
(F)=



No.	Lev.	Parts No.	Description	Q'ty						I	R
				(A)	(B)	(C)	(D)	(E)	(F)		
1	1	1A1490-40540	BAND 180,WIRE LOCK		1						
2	1	1N3300-51010	BATTERY YB12AL-A		1						
3	1	1N1A10-51220	REST,BATTERY		1						
4	1	7N1A10-51220	COVER, BATTERY		1						
5	2	1N1723-00450	PLATE, RUBBER		2						
6	2	1N1A10-51300	RUBBER,20X45		1						
7	1	1N3850-51300	CABLE, PLUS		1						
8	1	1N1710-51350	PIPE,VINYL		1						
9	1	1N3850-51350	CABLE, MINUS		1						
10	1	26014-060162	BOLT, M6X 16		1						
11	1	26014-060162	BOLT, M6X 16		1						
12	1	26014-080202	BOLT, M8X 20		2						
13	1	26051-080002	NUT, M8		1						

Fig.30. HARNESS

(A)=JS-1071C,PQ  
 (B)=JS-1071C,S-PQ  
 (C)=

(D)=  
 (E)=  
 (F)=

No.	Lev.	Parts No.	Description	Q'ty						I	R
				(A)	(B)	(C)	(D)	(E)	(F)		
1	1	1J3670-11390	CLAMP 8,WIRE	1							
2	1	1A1490-40540	BAND 180,WIRE LOCK	2							
3	1	1N1A10-51450	HARNESS ASSY,	1							
4	1	1E8775-84120	CLAMP, BAND	2							
5	1	1E6102-84970	BAND 140,WIRE LOCK	1							
6	1	26014-060162	BOLT, M6X 16	2							
7	1	26014-080202	BOLT, M8X 20	1							

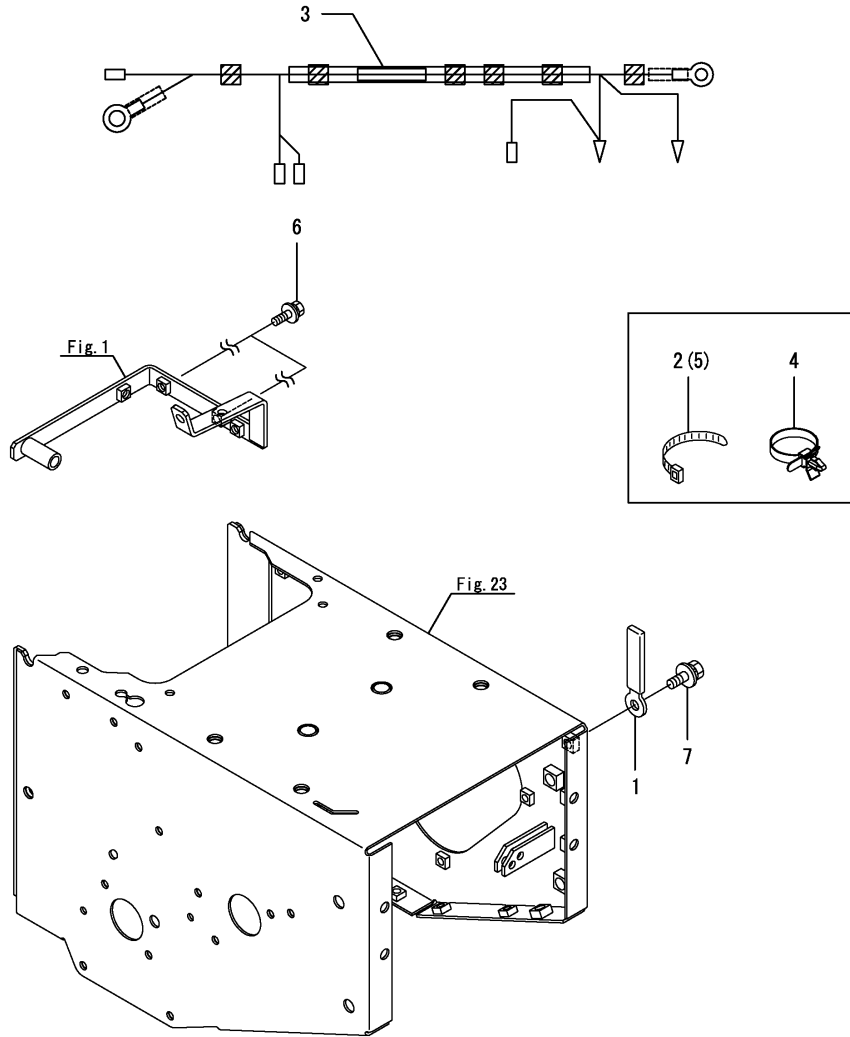


Fig.31. HARNESS(S)

(A)=JS-1071C,PQ  
 (B)=JS-1071C,S-PQ  
 (C)=

(D)=  
 (E)=  
 (F)=

No.	Lev.	Parts No.	Description	Q'ty						I	R
				(A)	(B)	(C)	(D)	(E)	(F)		
1	1	1J3670-11390	CLAMP 8,WIRE		1						
2	1	1A1490-40540	BAND 180,WIRE LOCK		2						
3	1	1N1A10-51400	HARNESS ASSY,E		1						
4	2	1N3790-91500	MARK, FUSE 15A		1						
5	2	1N3790-91510	MARK, FUSE 20A		1						
6	1	1E8775-84120	CLAMP, BAND		1						
7	1	1E6102-84970	BAND 140,WIRE LOCK		2						
8	1	26014-060252	BOLT, M6X 25		2						
9	1	26014-080202	BOLT, M8X 20		1						

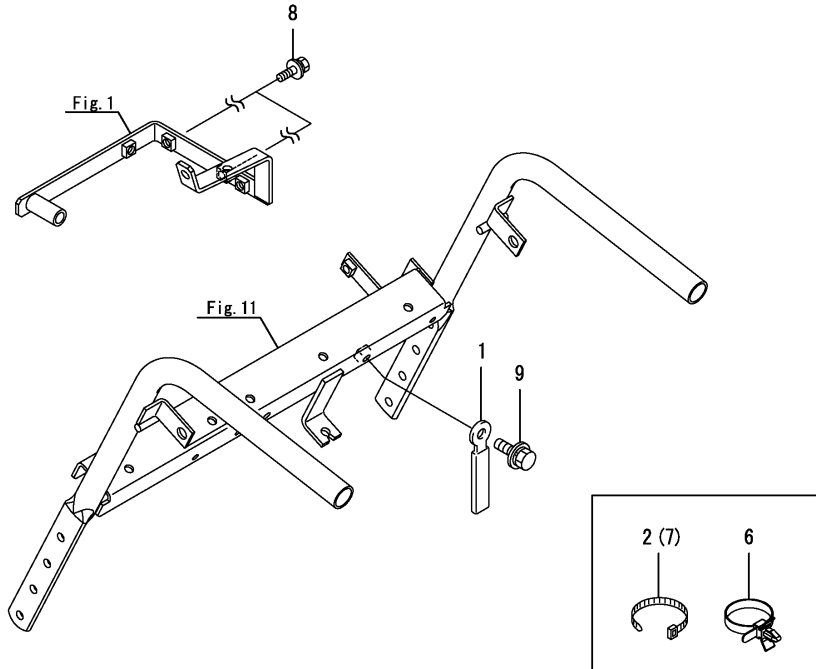
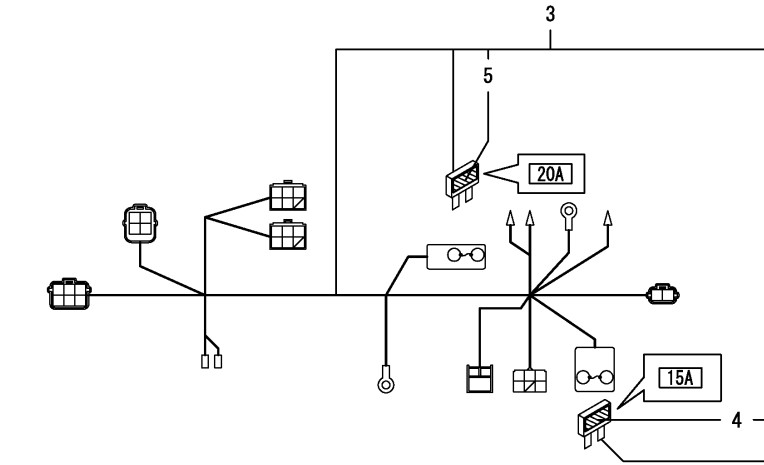


Fig.32. SWITCH(SWITCH STOP

(A)=JS-1071C,PQ  
 (B)=JS-1071C,S-PQ  
 (C)=

(D)=  
 (E)=  
 (F)=

No.	Lev.	Parts No.	Description	Q'ty						I	R
				(A)	(B)	(C)	(D)	(E)	(F)		
1	1	1A1470-40900	SWITCH,STOP	1							
2	1	26051-080002	NUT, M8	1							

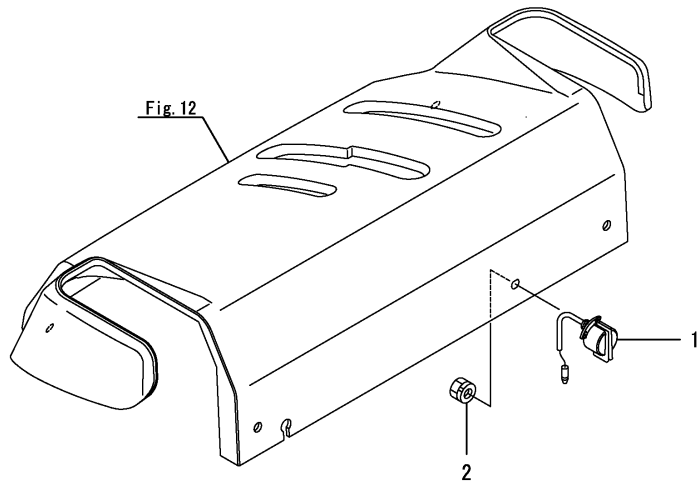


Fig.33. SWITCH(SWITCH KEY

(A)=JS-1071C,PQ  
 (B)=JS-1071C,S-PQ  
 (C)=

(D)=  
 (E)=  
 (F)=

No.	Lev.	Parts No.	Description	Q'ty						I	R
				(A)	(B)	(C)	(D)	(E)	(F)		
1	1	1N3021-52300	SWITCH ASSY.,KEY		1						

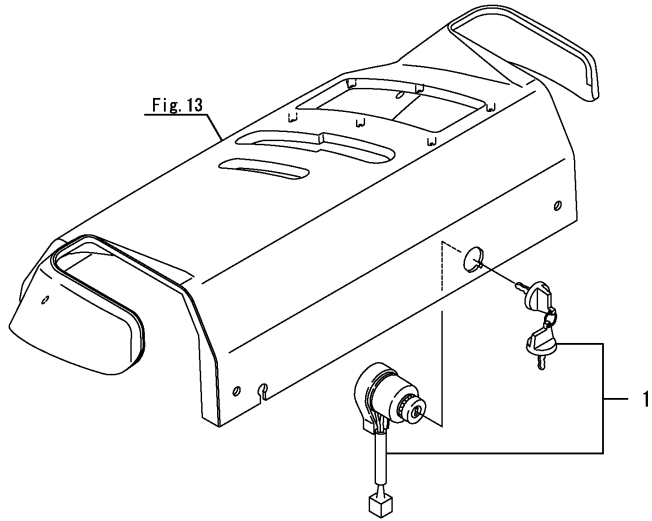
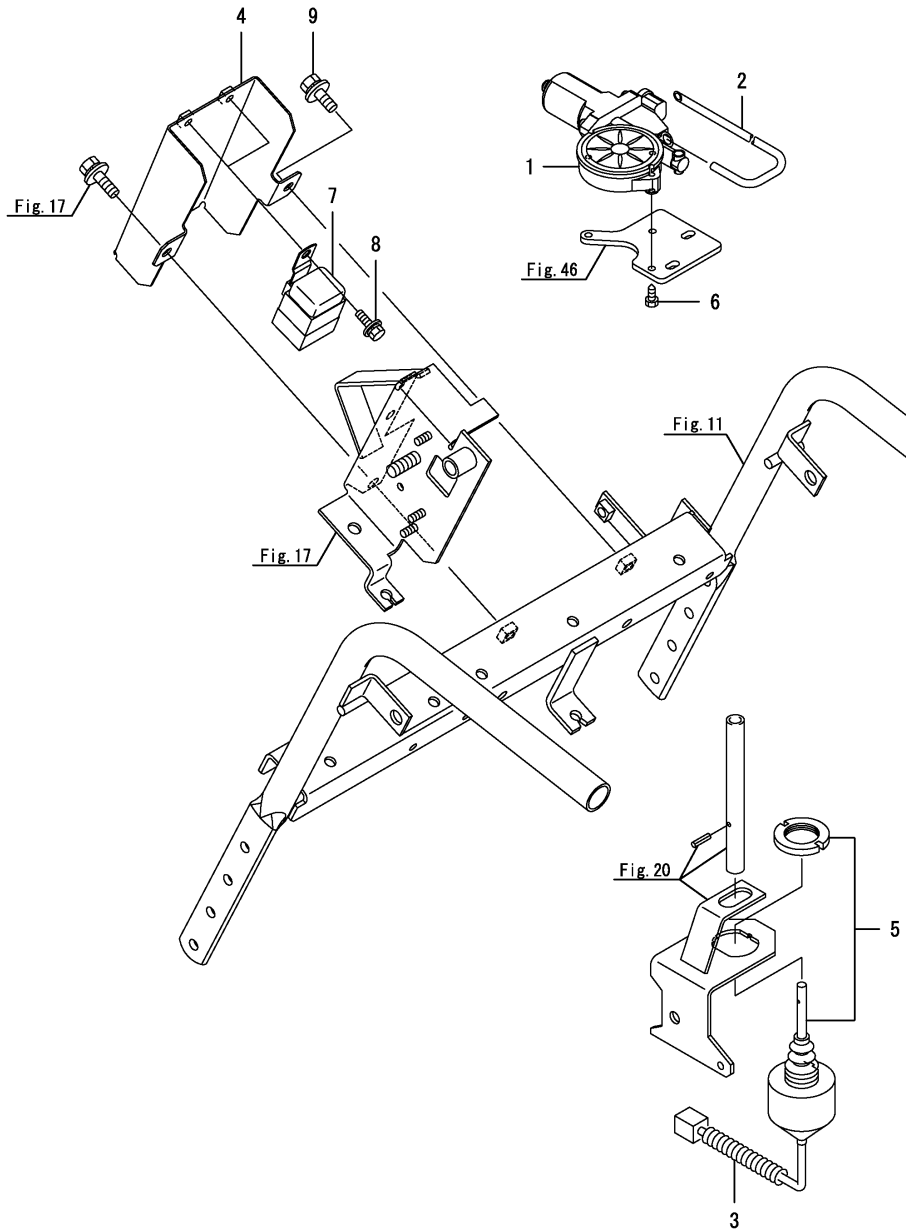


Fig.34. SWITCH(MOTOR



(A)=JS-1071C,PQ  
 (B)=JS-1071C,S-PQ  
 (C)=

(D)=  
 (E)=  
 (F)=

No.	Lev.	Parts No.	Description	Q'ty						I	R
				(A)	(B)	(C)	(D)	(E)	(F)		
1	1	1C1300-17300	MOTOR, GS34(7T		1						
2	1	1N3790-35850	HOSE, VINYL		1						
3	1	1N1723-51280	TUBE, 80		1						
4	1	1N1A10-51500	COVER,RELAY		1						
5	1	1N1723-52101	SWITCH, LEVER		1						
6	1	1N3280-73740	SCREW 5X14AEX.TAPPNG		3						
7	1	1E6650-82300	RELAY, A-2		2						
8	1	26014-060162	BOLT, M6X 16		2						
9	1	26014-080202	BOLT, M8X 20		1						

Fig.35. LAMP

(A)=JS-1071C,PQ  
 (B)=JS-1071C,S-PQ  
 (C)=

(D)=  
 (E)=  
 (F)=

No.	Lev.	Parts No.	Description	Q'ty						I	R
				(A)	(B)	(C)	(D)	(E)	(F)		
1	1	1N3400-51450	STAY,LIGHT	1							
2	1	1N1711-51850	HEADLIGHT COMPL.	1							
3	2	1N1711-51380	BODY ASSY, LIGHT	1							
4	2	1N1711-51860	LAMP 12V-15W G23	1							
5	1	26051-080002	NUT, M8	1							

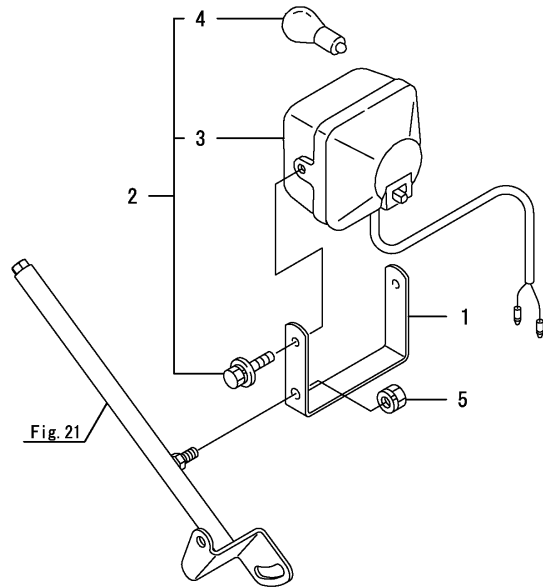
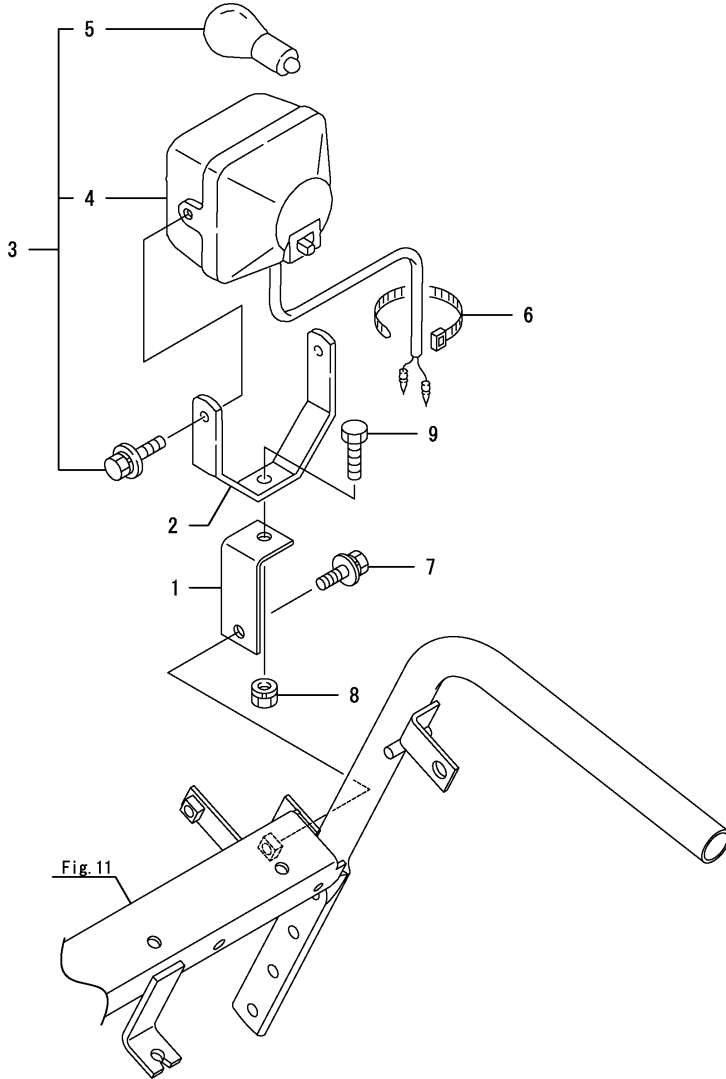


Fig.36. LAMP(S)



(A)=JS-1071C,PQ  
(B)=JS-1071C,S-PQ  
(C)=

(D)=  
(E)=  
(F)=

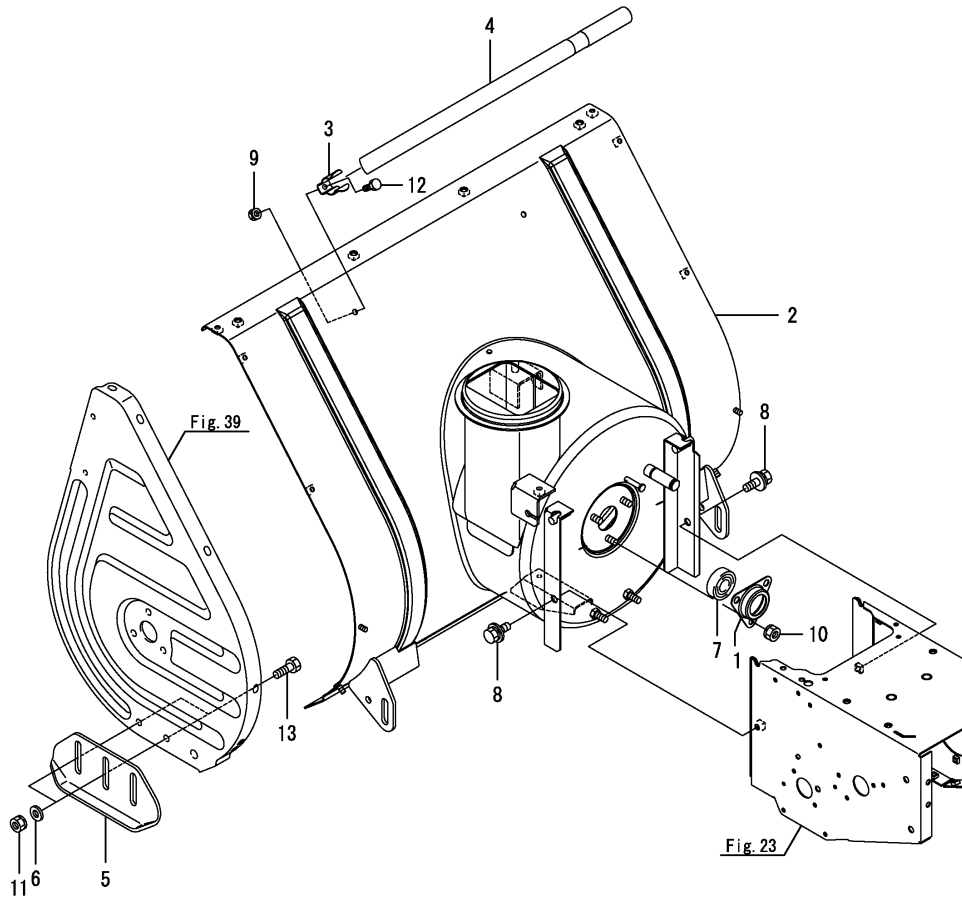
No.	Lev.	Parts No.	Description	Q'ty						I	R
				(A)	(B)	(C)	(D)	(E)	(F)		
1	1	1N3860-34250	SEAT, LIGHT		1						
2	1	1N1711-51390	STAY,HEADLIGHT		1						
3	1	1N1711-51850	HEADLIGHT COMPL.		1						
4	2	1N1711-51380	BODY ASSY, LIGHT		1						
5	2	1N1711-51860	LAMP 12V-15W G23		1						
6	1	1E8775-84120	CLAMP, BAND		1						
7	1	26014-080202	BOLT, M8X 20		1						
8	1	26051-080002	NUT, M8		1						
9	1	26117-080162	BOLT M 8X 16 PLATED		1						



Fig.37. AUGER FRAME

(A)=JS-1071C,PQ  
 (B)=JS-1071C,S-PQ  
 (C)=

(D)=  
 (E)=  
 (F)=

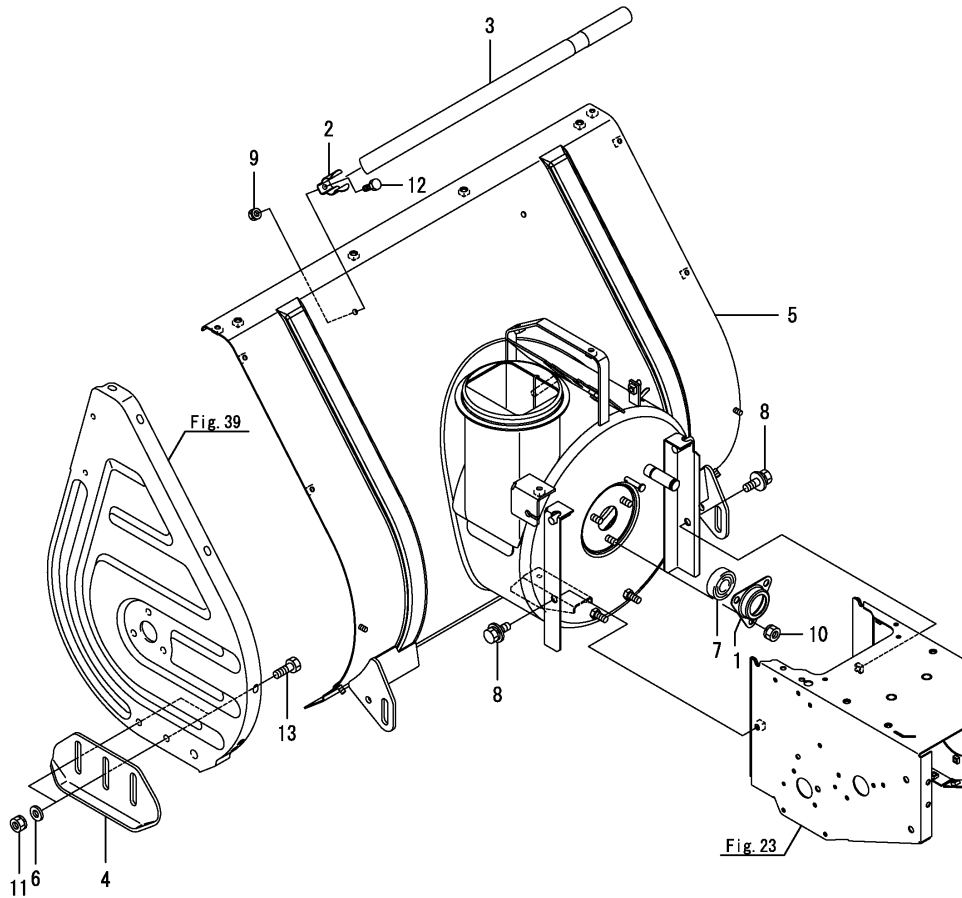


No.	Lev.	Parts No.	Description	Q'ty						I	R
				(A)	(B)	(C)	(D)	(E)	(F)		
1	1	1N1570-38210	BEARING 6203B	1							
2	1	1N1A10-71000	FRAME,SNOW REMOVING	1							
2-1	1	1N1A10-71001	FRAME,710	1							N
(A=*2014.02)											
3	1	1N1710-71062-2	STOPPER	2							
4	1	1N1710-71072	ROD,SNOW SHOVELING	1							
5	1	1N3300-71401-1	SHOE	2							
6	1	22157-080000	WASHER, 8	4							
7	1	24104-062034	BEARING, BALL 6203UU	1							
8	1	26014-080202	BOLT, M8X 20	2							
9	1	26051-060002	NUT, M6	2							
10	1	26051-080002	NUT, M8	3							
11	1	26051-080002	NUT, M8	4							
12	1	26116-060122	BOLT, M6X 12 PLATED	2							
13	1	26116-080202	BOLT, M8X 20 PLATED	4							

Fig.38. AUGER FRAME(S)

(A)=JS-1071C,PQ  
 (B)=JS-1071C,S-PQ  
 (C)=

(D)=  
 (E)=  
 (F)=



No.	Lev.	Parts No.	Description	Q'ty						I	R
				(A)	(B)	(C)	(D)	(E)	(F)		
1	1	1N1570-38210	BEARING 6203B		1						
2	1	1N1710-71062-2	STOPPER		2						
3	1	1N1710-71072	ROD,SNOW SHOVELING		1						
4	1	1N3300-71401-1	SHOE		2						
5	1	1N1A10-71500	FRAME,REMOVING		1						
6	1	22157-080000	WASHER, 8		4						
7	1	24104-062034	BEARING, BALL 6203UU		1						
8	1	26014-080202	BOLT, M8X 20		2						
9	1	26051-060002	NUT, M6		2						
10	1	26051-080002	NUT, M8		3						
11	1	26051-080002	NUT, M8		4						
12	1	26116-060122	BOLT, M6X 12 PLATED		2						
13	1	26116-080202	BOLT, M8X 20 PLATED		4						

Fig.39. AUGER PLATE

(A)=JS-1071C,PQ  
 (B)=JS-1071C,S-PQ  
 (C)=

(D)=  
 (E)=  
 (F)=

No.	Lev.	Parts No.	Description	Q'ty						I	R
				(A)	(B)	(C)	(D)	(E)	(F)		
1	1	1N1570-38200	BEARING 6203C	2	2						
2	1	1N3370-71300	PLATE L,AUGER SIDE	1	1						
3	1	1N3370-71350	PLATE R,AUGER SIDE	1	1						
4	1	22137-060000	WASHER, 6	4	4						
5	1	24104-062034	BEARING, BALL 6203UU	2	2						
6	1	26014-060122	BOLT, M6X 12	6	6						
7	1	26014-080162	BOLT, M8X 16	6	6						
8	1	26051-060002	NUT, M6	4	4						

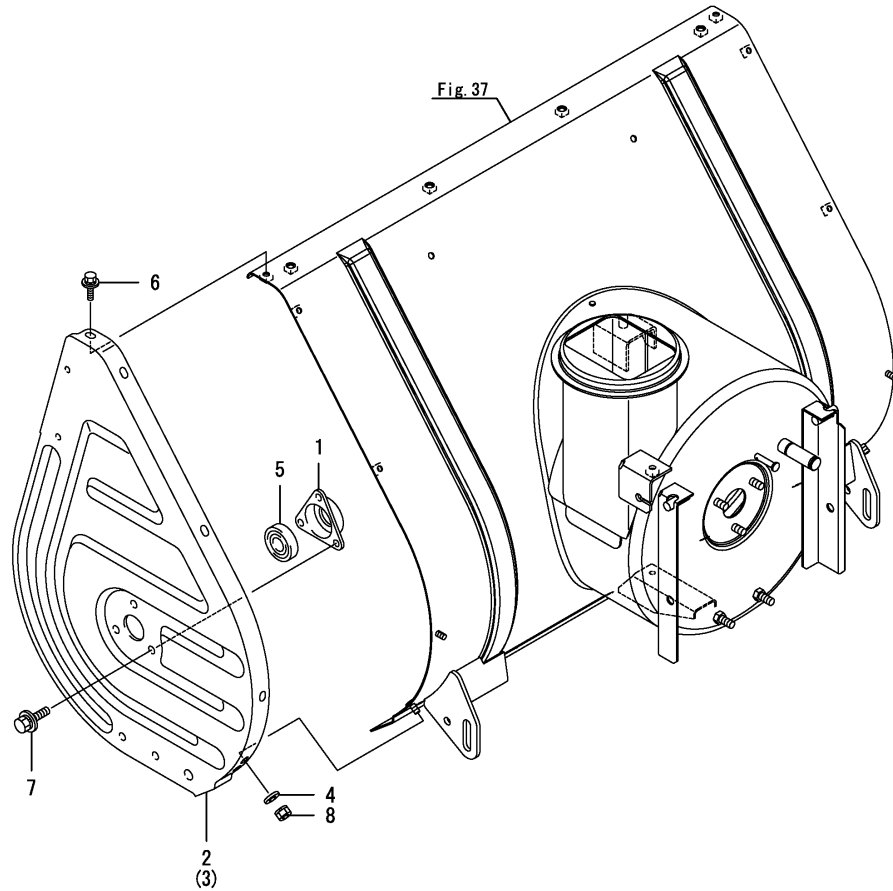
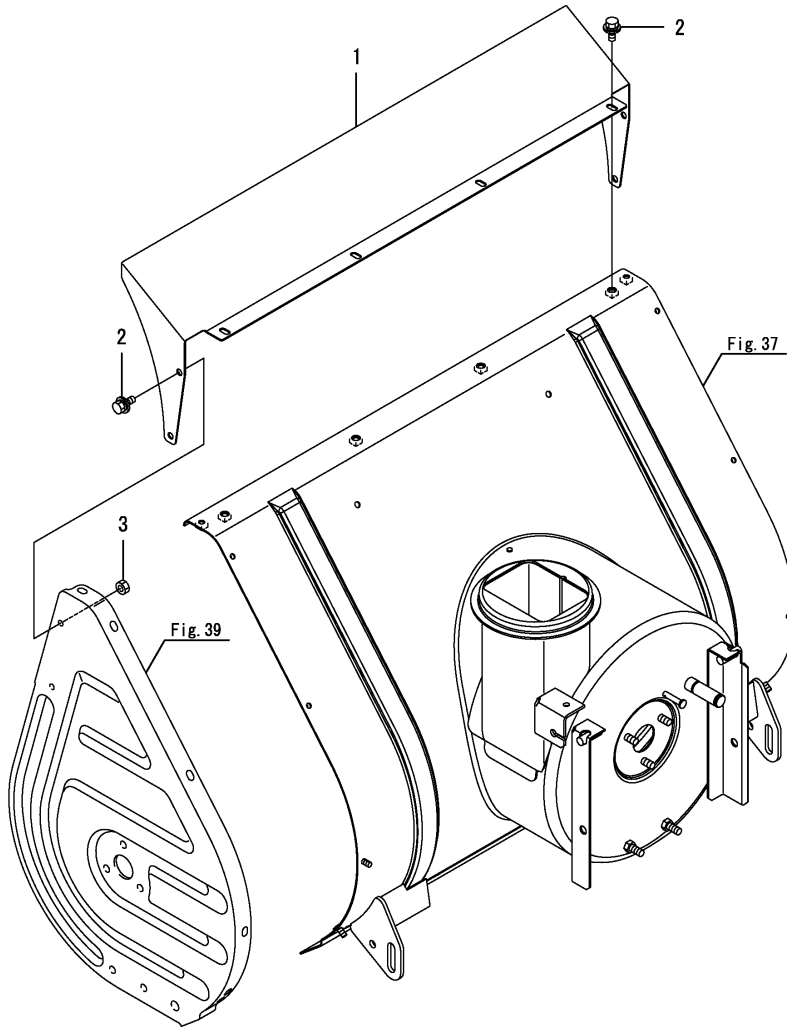


Fig.40. AUGER COVER

(A)=JS-1071C,PQ  
(B)=JS-1071C,S-PQ  
(C)=

(D)=  
(E)=  
(F)=

No.	Lev.	Parts No.	Description	Q'ty						I	R
				(A)	(B)	(C)	(D)	(E)	(F)		
1	1	7N1A10-71201	COVER,AUGER CASE 710	1	1						
2	1	26014-060122	BOLT, M6X 12	8	8						
3	1	26717-060002	NUT, M6	4	4						




---

---

---

---

---

---

---

---

---

---

---

---

---

---

---

---

---

---

---

---

---

---

---

Fig.41. AUGER BOTTOM

(A)=JS-1071C,PQ  
 (B)=JS-1071C,S-PQ  
 (C)=

(D)=  
 (E)=  
 (F)=

No.	Lev.	Parts No.	Description	Qty						I	R
				(A)	(B)	(C)	(D)	(E)	(F)		
1	1	1N3300-71301-1	PLATE,BOTTOM(710	1	1						
2	1	1N3300-71320	BOLT	5	5						
3	1	1N3300-71330	BOLT	2	2						
4	1	22137-060000	WASHER, 6	5	5						
5	1	22157-080000	WASHER, 8	2	2						
6	1	26051-060002	NUT, M6	5	5						
7	1	26051-080002	NUT, M8	2	2						

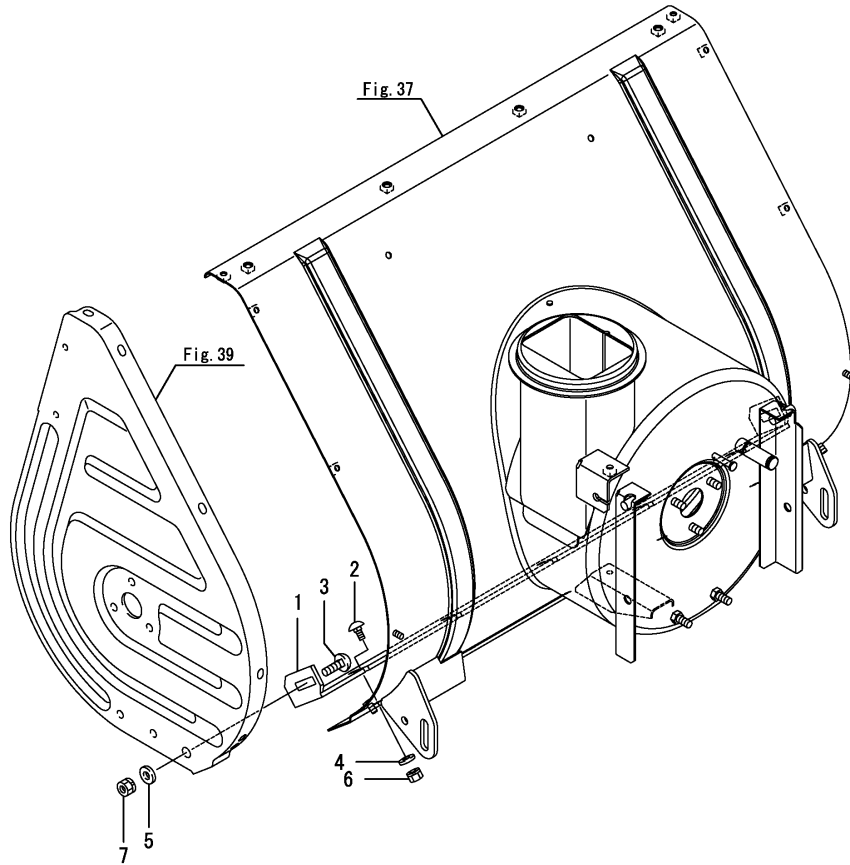
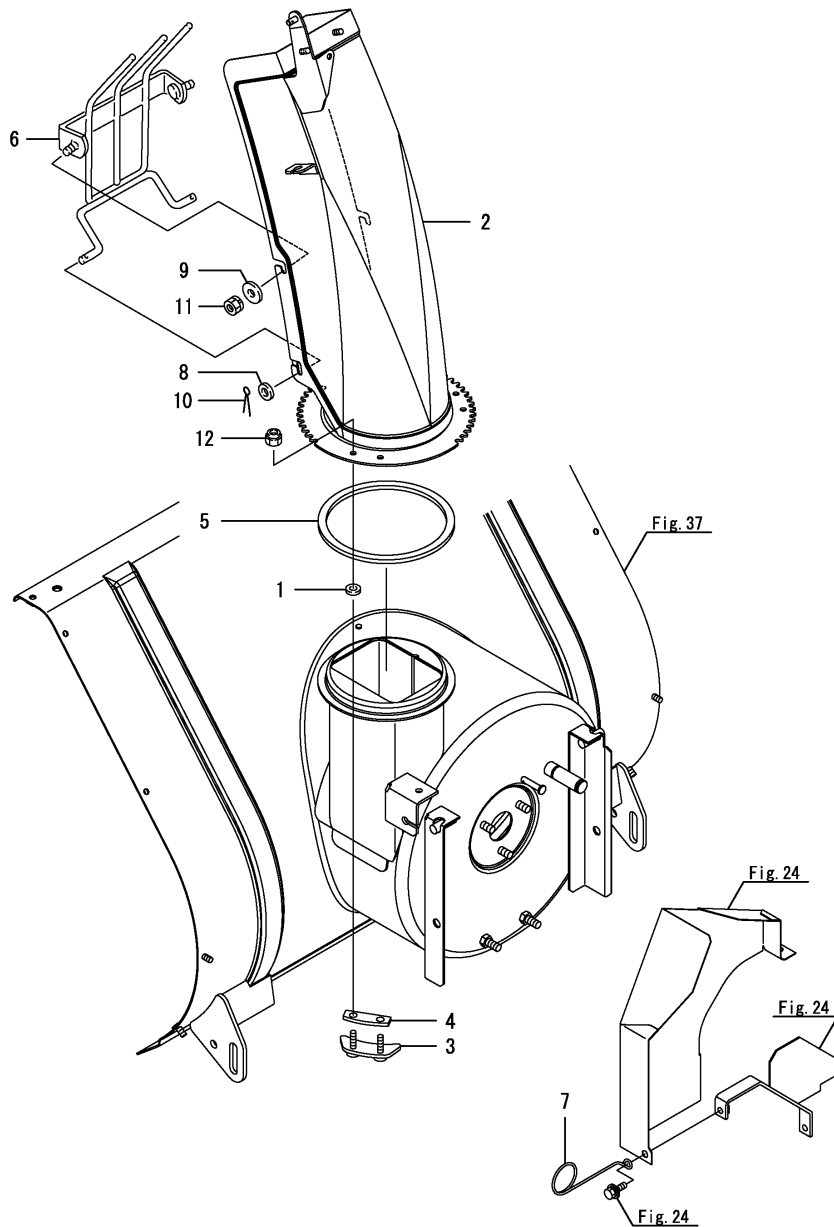


Fig.42. CHUTE

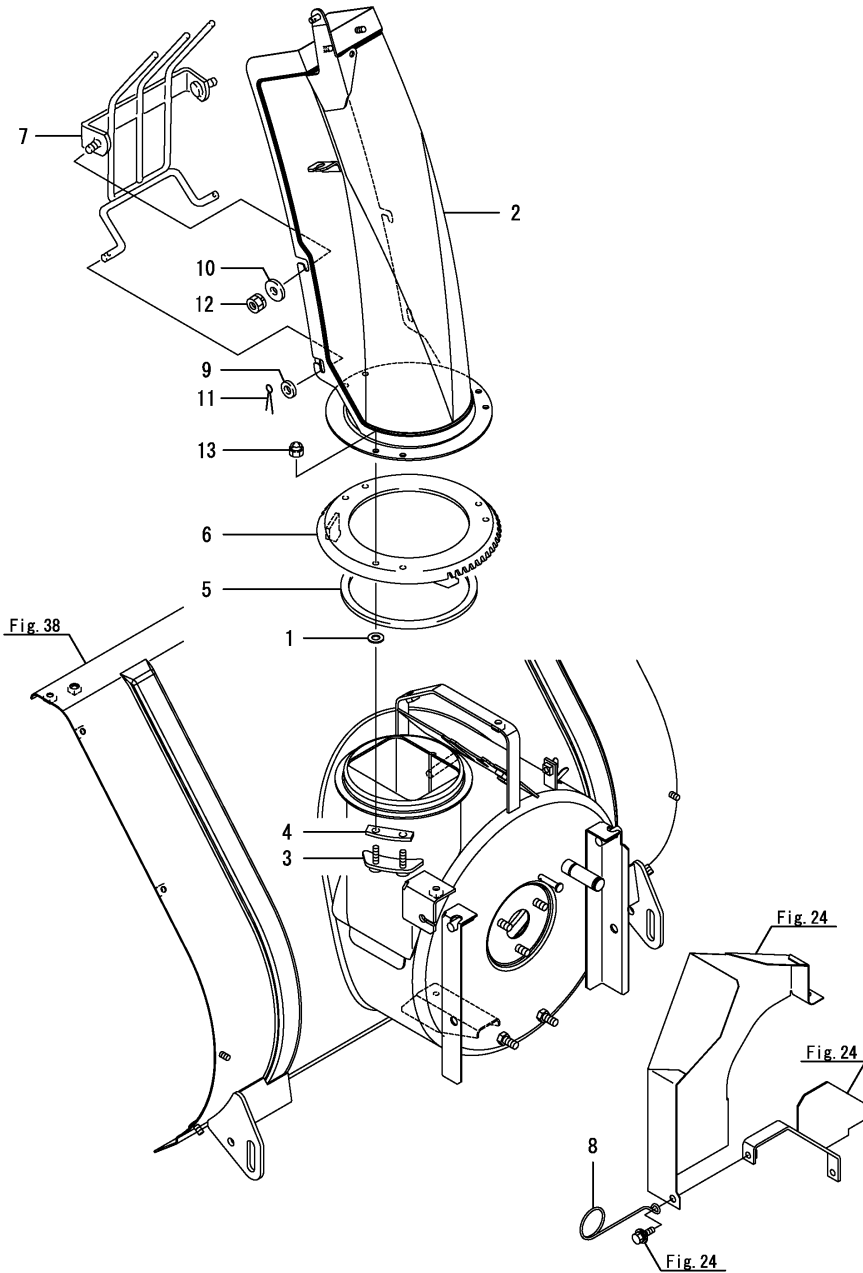
(A)=JS-1071C,PQ  
 (B)=JS-1071C,S-PQ  
 (C)=

(D)=  
 (E)=  
 (F)=



No.	Lev.	Parts No.	Description	Q'ty						I	R
				(A)	(B)	(C)	(D)	(E)	(F)		
1	1	1J3999-02160	WASHER	6							
2	1	7N1A10-73000	CHUTE,	1							
3	1	1N3021-73201	FIXTURE A,SHOOTER	3							
4	1	1N1711-73240	SPACER	3							
5	1	1N1711-73280	PLATE,FLOOR	1							
6	1	1N1960-73502	GUARD	1							
7	1	1N1A10-73950	WIRE, GUIDE	1							
8	1	22137-060000	WASHER, 6	2							
9	1	22157-060000	WASHER, 6	2							
10	1	22417-200120	COTTER PIN 2.0X12	2							
11	1	26051-060002	NUT, M6	2							
12	1	26347-060002	NUT, M6	6							

Fig.43. CHUTE(S



(A)=JS-1071C,PQ  
(B)=JS-1071C,S-PQ  
(C)=

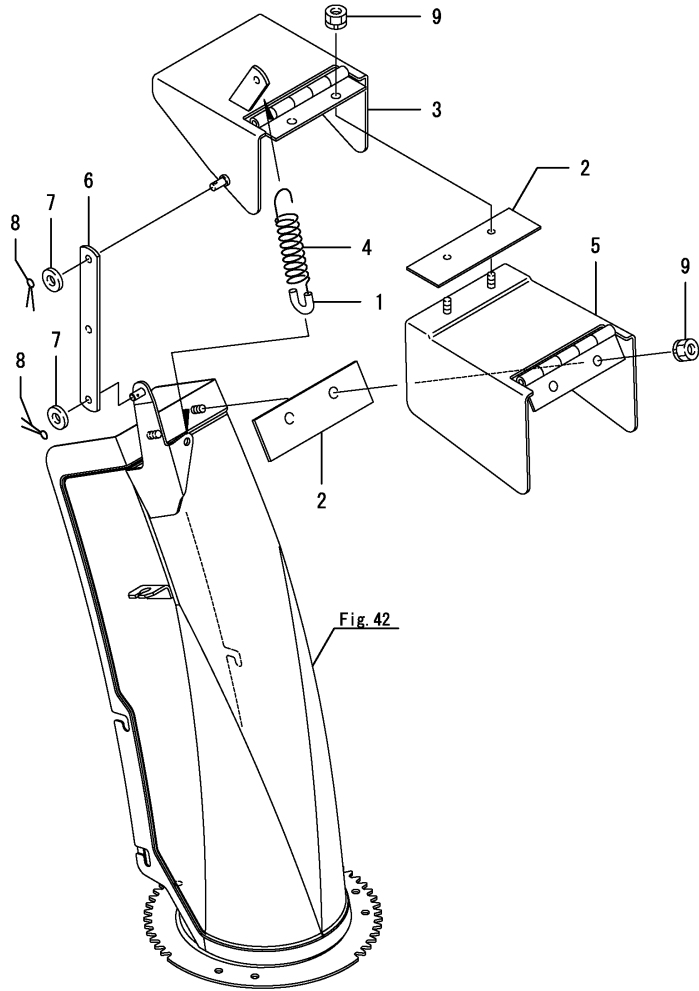
(D)=  
(E)=  
(F)=

No.	Lev.	Parts No.	Description	Q'ty						I	R
				(A)	(B)	(C)	(D)	(E)	(F)		
1	1	1J3999-02160	WASHER		6						
2	1	7N3790-73100	CHUTE,		1						
3	1	1N3021-73201	FIXTURE A,SHOOTER		3						
4	1	1N1711-73240	SPACER		3						
5	1	1N1711-73280	PLATE,FLOOR		1						
6	1	1N3260-73400	GEAR, CHUTE E		1						
7	1	1N1960-73502	GUARD		1						
8	1	1N1A10-73950	WIRE, GUIDE		1						
9	1	22137-060000	WASHER, 6		2						
10	1	22157-060000	WASHER, 6		2						
11	1	22417-200120	COTTER PIN 2.0X12		2						
12	1	26051-060002	NUT, M6		2						
13	1	26347-060002	NUT, M6		6						

Fig.44. DEFLECTOR

(A)=JS-1071C,PQ  
 (B)=JS-1071C,S-PQ  
 (C)=

(D)=  
 (E)=  
 (F)=



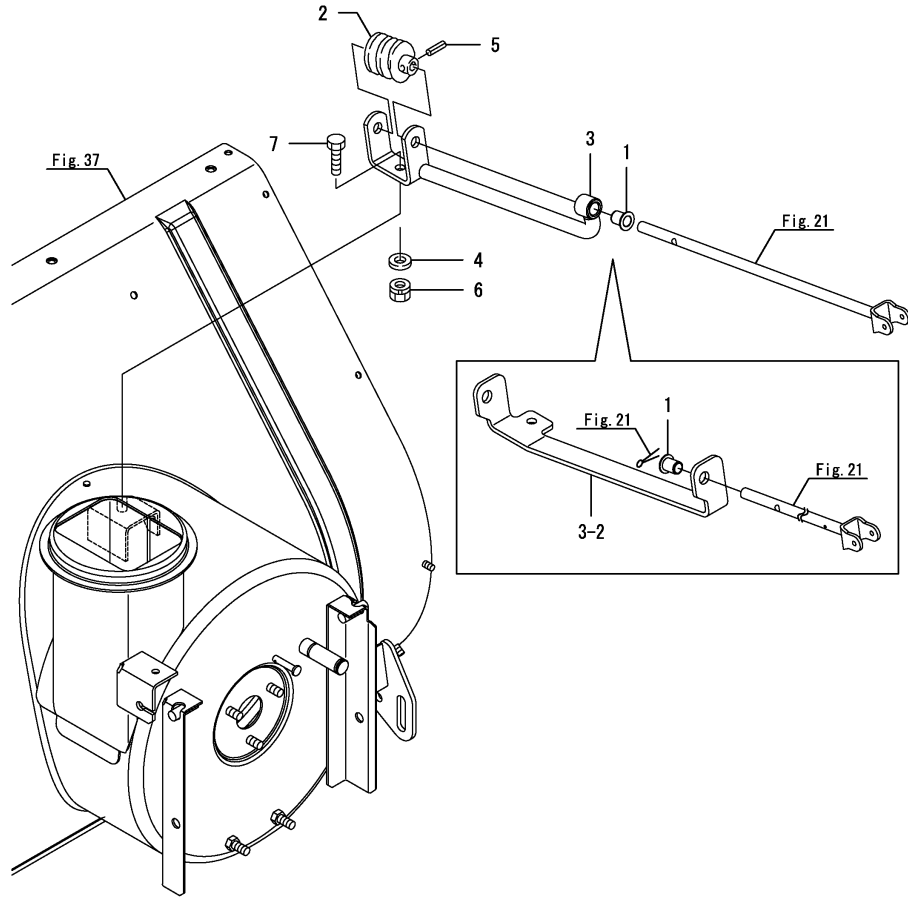
No.	Lev.	Parts No.	Description	Q'ty						I	R
				(A)	(B)	(C)	(D)	(E)	(F)		
1	1	1N1A10-73100	HOSE,VINYL	1	1						
2	1	1N1711-73170	RUBBER,SNOW PROTECT.	2	2						
3	1	1N3850-73200	DEFLECTOR, SUB	1	1						
4	1	1N3850-73250	SPRING, 18X106	1	1						
5	1	1N3850-73300	DEFLECTOR,	1	1						
6	1	1N3850-73400	ARM, DEFLECTOR	1	1						
7	1	22137-060000	WASHER, 6	2	2						
8	1	22417-160100	COTTER PIN	2	2						
9	1	26051-060002	NUT, M6	4	4						



Fig.45. ROTATION

(A)=JS-1071C,PQ  
 (B)=JS-1071C,S-PQ  
 (C)=

(D)=  
 (E)=  
 (F)=



No.	Lev.	Parts No.	Description	Q'ty						I	R
				(A)	(B)	(C)	(D)	(E)	(F)		
1	1	1F5300-43300	BUSH 1015	1							
2	1	1N3390-73300	WORM,3X3L	1							
3	1	1N1A10-73350	BEARING,WORM	1							
3-1	1	1N1A10-73351	BEARING,WORM	1							N
		(A=*2012.12)									
3-2	1	1N1A10-73400	REST,ROD	1							F 1
		(A=*2014.02)									
4	1	22137-080000	WASHER, 8	1							
5	1	22351-050020	PIN, SPRING 5.0X20	1							
6	1	26051-080002	NUT, M8	1							
7	1	26116-080162	BOLT, M8X 16 PLATED	1							

Remarks

(1)No.3-2, Fig.21 No.7-1, 25 & Fig.37 No.2-1 interchangeable by set.

N:Old  $\xrightarrow{\text{Yes}}$  New, Q:Old  $\xrightarrow{\text{No}}$  New, R:Old  $\xrightarrow{\text{Yes}}$  New, S:Old  $\xrightarrow{\text{No}}$  New, W:Add, Z:Discontinued, F:Interchangeable by set, K:Q'ty Change

Fig.46. ROTATION(S)

(A)=JS-1071C,PQ  
 (B)=JS-1071C,S-PQ  
 (C)=

(D)=  
 (E)=  
 (F)=

No.	Lev.	Parts No.	Description	Q'ty						I	R
				(A)	(B)	(C)	(D)	(E)	(F)		
1	1	1N3790-73350	SEAT, CHUTE MOTOR		1						
2	1	1N1A10-73450	COVER,MOTOR		1						
3	1	26014-060162	BOLT, M6X 16		2						
4	1	26014-060162	BOLT, M6X 16		3						

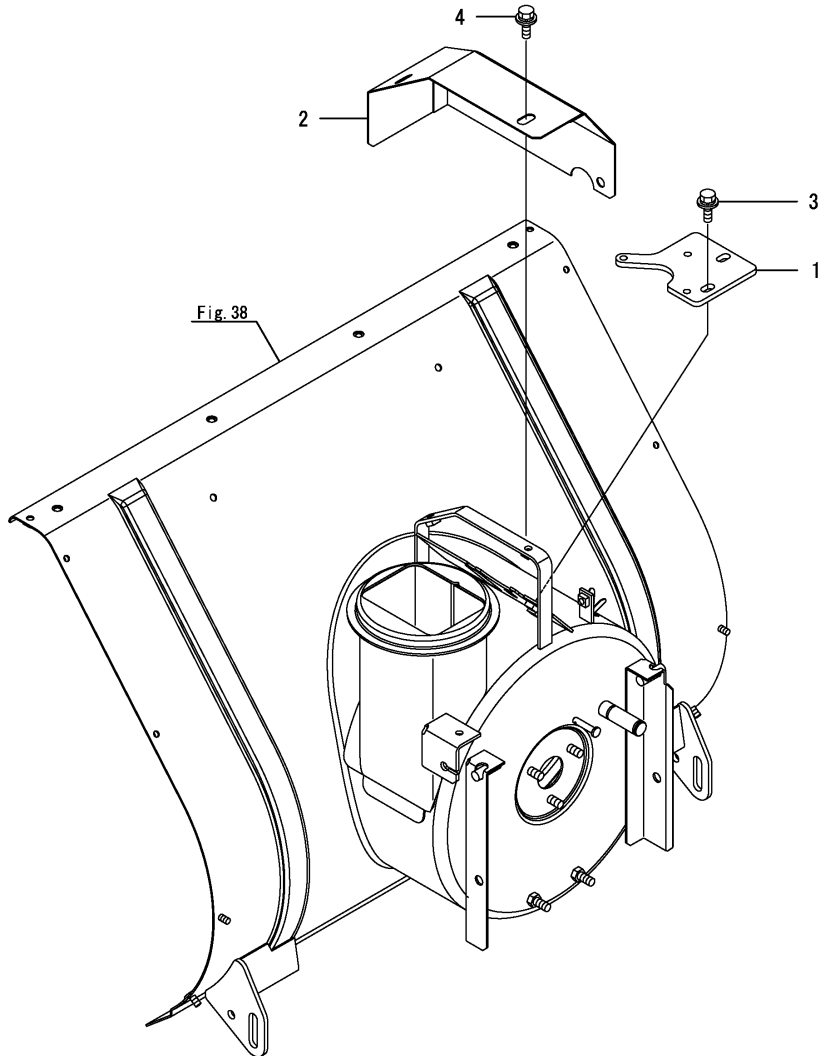
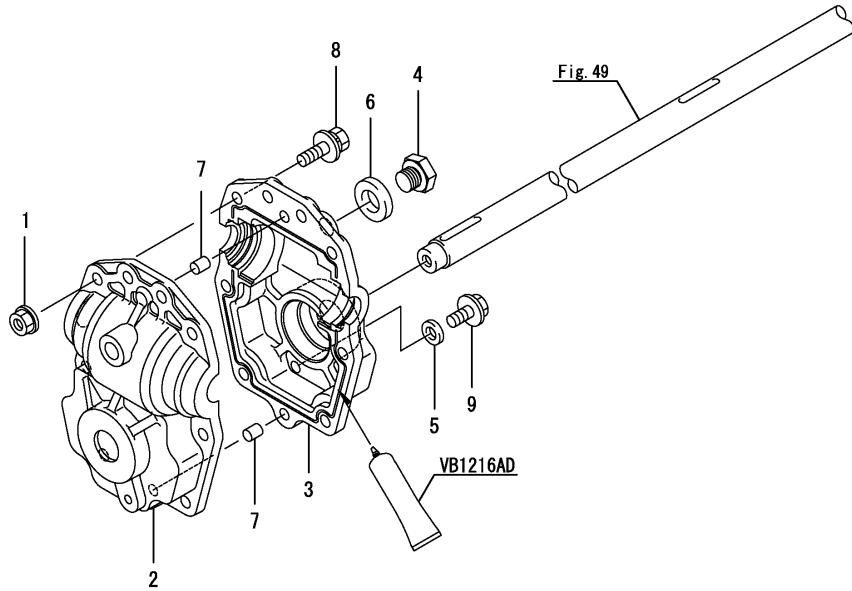


Fig.47. GEARCASE

(A)=JS-1071C,PQ  
 (B)=JS-1071C,S-PQ  
 (C)=

(D)=  
 (E)=  
 (F)=

No.	Lev.	Parts No.	Description	Q'ty						I	R
				(A)	(B)	(C)	(D)	(E)	(F)		
1	1	194990-22140	NUT, M8	8	8						
2	1	1N3790-74000	CASE L, GEAR	1	1						
3	1	1N3790-74010	CASE R, GEAR	1	1						
4	1	1N3910-74130	BOLT, DRAIN	1	1						
5	1	22190-080000	WASHER, SEAL 8	1	1						
6	1	22190-140000	WASHER, SEAL 14	1	1						
7	1	22312-080100	PIN, PARALLEL M8X10	2	2						
8	1	26014-080302	BOLT, M8X 30	8	8						
9	1	26107-080162	BOLT,8X 16	1	1						



**Fig.48. BLOWER SHAFT**

(A)=JS-1071C,PQ  
 (B)=JS-1071C,S-PQ  
 (C)=

(D)=  
 (E)=  
 (F)=

No.	Lev.	Parts No.	Description	Q'ty						I	R
				(A)	(B)	(C)	(D)	(E)	(F)		
1	1	1N3021-74030	WORM 3L2	1	1						
2	1	1N3790-74080	COLLAR, 21X27X5	1	1						
3	1	1N3790-74100	SHAFT, BLOWER	1	1						
4	1	22550-070500	KEY 7X50	1	1						
5	1	24101-060044	BEARING, BALL 6004	2	2						
6	1	24421-203508	SEAL, OIL TC203508	2	2						

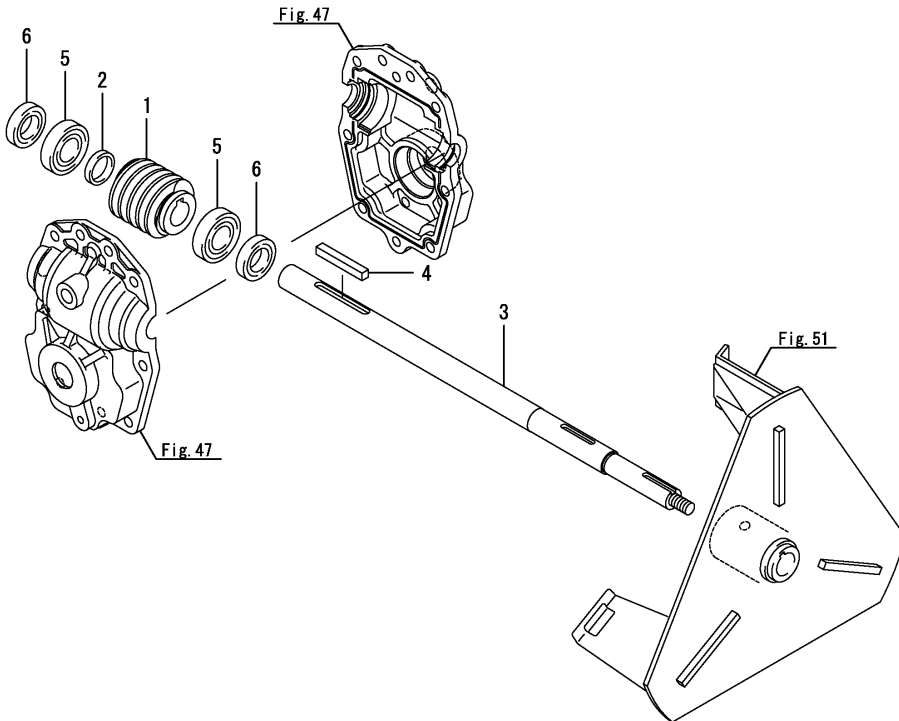
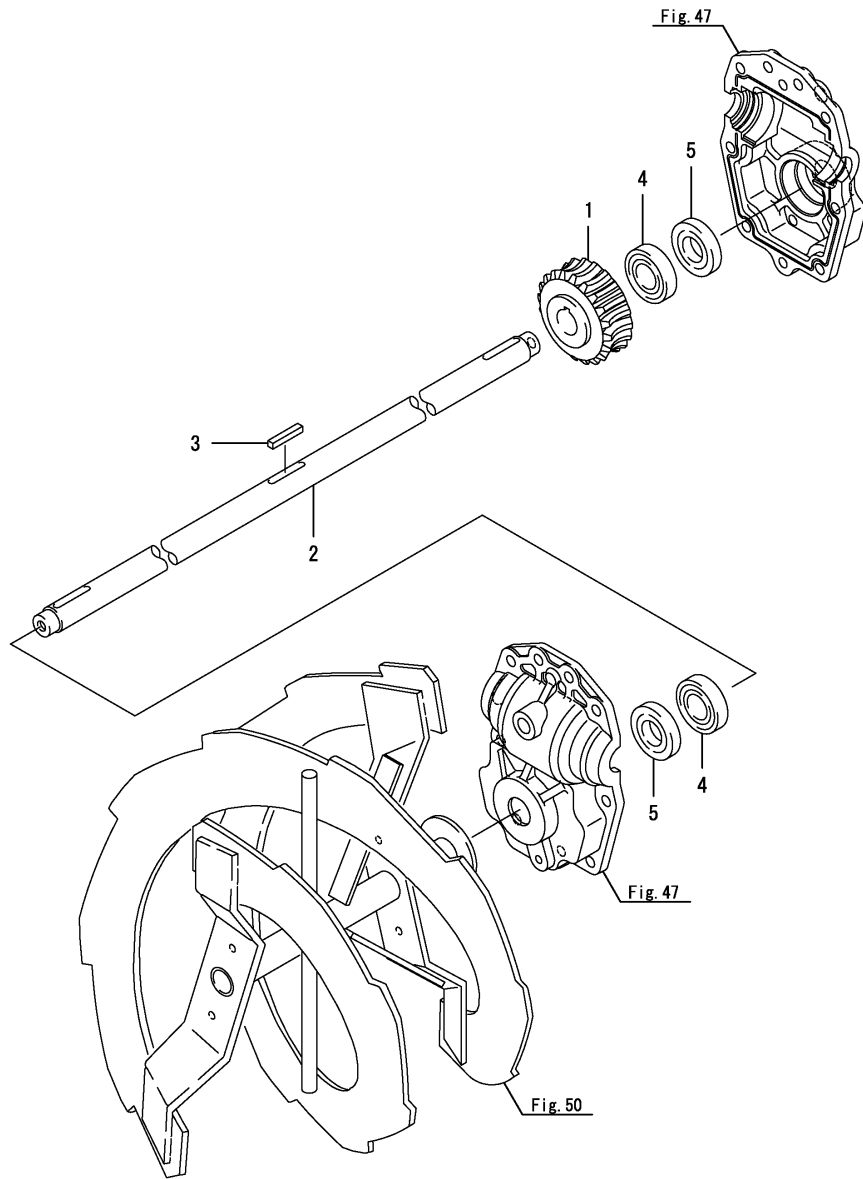


Fig.49. AUGER SHAFT

(A)=JS-1071C,PQ  
 (B)=JS-1071C,S-PQ  
 (C)=

(D)=  
 (E)=  
 (F)=

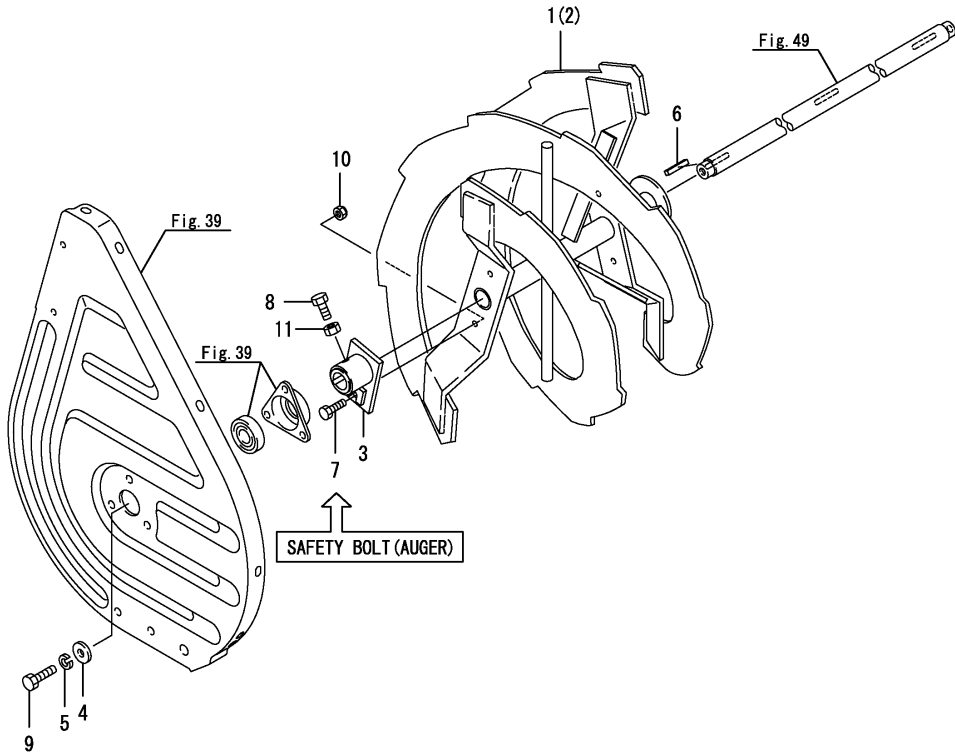


No.	Lev.	Parts No.	Description	Q'ty						I	R
				(A)	(B)	(C)	(D)	(E)	(F)		
1	1	1N3370-74040	WHEEL 3X20,WORM	1	1						
2	1	1N3370-74200	SHAFT 710,AUGER	1	1						
3	1	22550-050300	KEY 5X30	1	1						
4	1	24101-060044	BEARING, BALL 6004	2	2						
5	1	24421-203508	SEAL, OIL TC203508	2	2						

Fig.50. AUGER

(A)=JS-1071C,PQ  
 (B)=JS-1071C,S-PQ  
 (C)=

(D)=  
 (E)=  
 (F)=



No.	Lev.	Parts No.	Description	Q'ty						I	R
				(A)	(B)	(C)	(D)	(E)	(F)		
1	1	1N3371-75000-1	AUGER, L	1	1						
2	1	1N3371-75100-1	AUGER, R	1	1						
3	1	1N3330-75200-1	FLANGE,AUGER	2	2						
4	1	22157-080000	WASHER, 8	2	2						
5	1	22217-080000	WASHER, SPRING 8	2	2						
6	1	22550-050300	KEY 5X30	2	2						
7	1	26116-060202	BOLT, M6X 20 PLATED	2	2						
8	1	26116-080162	BOLT, M8X 16 PLATED	2	2						
9	1	26116-080252	BOLT, M8X 25 PLATED	2	2						
10	1	26347-060002	NUT, M6	2	2						
11	1	26717-080002	NUT, M8	2	2						

Fig.51. BLOWER

(A)=JS-1071C,PQ  
 (B)=JS-1071C,S-PQ  
 (C)=

(D)=  
 (E)=  
 (F)=

No.	Lev.	Parts No.	Description	Q'ty						I	R
				(A)	(B)	(C)	(D)	(E)	(F)		
1	1	1N3370-76000-1	BLOWER ASSY	1	1						
2	1	22550-050300	KEY 5X30	1	1						
3	1	26116-080202	BOLT, M8X 20 PLATED	1	1						
4	1	26717-080002	NUT, M8	1	1						

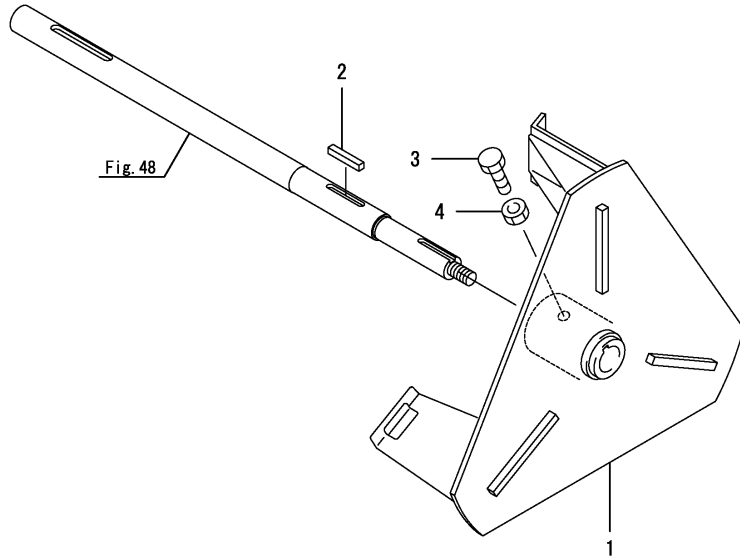


Fig. 48

Fig.52. LABEL

(A)=JS-1071C,PQ  
 (B)=JS-1071C,S-PQ  
 (C)=

(D)=  
 (E)=  
 (F)=

No.	Lev.	Parts No.	Description	Q'ty						I	R
				(A)	(B)	(C)	(D)	(E)	(F)		
1	1	1N1711-68190	MARK C YANMAR	2							
2	1	1N1711-68220	MARK,OIL CHECK	1							
3	1	1J3950-91010	MARK,BLINDFOLD	1							
4	1	1N1A10-91050	LABEL, MODEL	1							
5	1	1N3910-91100	LABEL, TRAVEL	1							
6	1	1N3910-91110	LABEL, WORK	1							
7	1	1N3910-91300	LABEL, LIFT	1							
8	1	1N3320-91320	LABEL,SOUND	1							
9	1	1N3790-91600	LABEL, DRAIN	1							

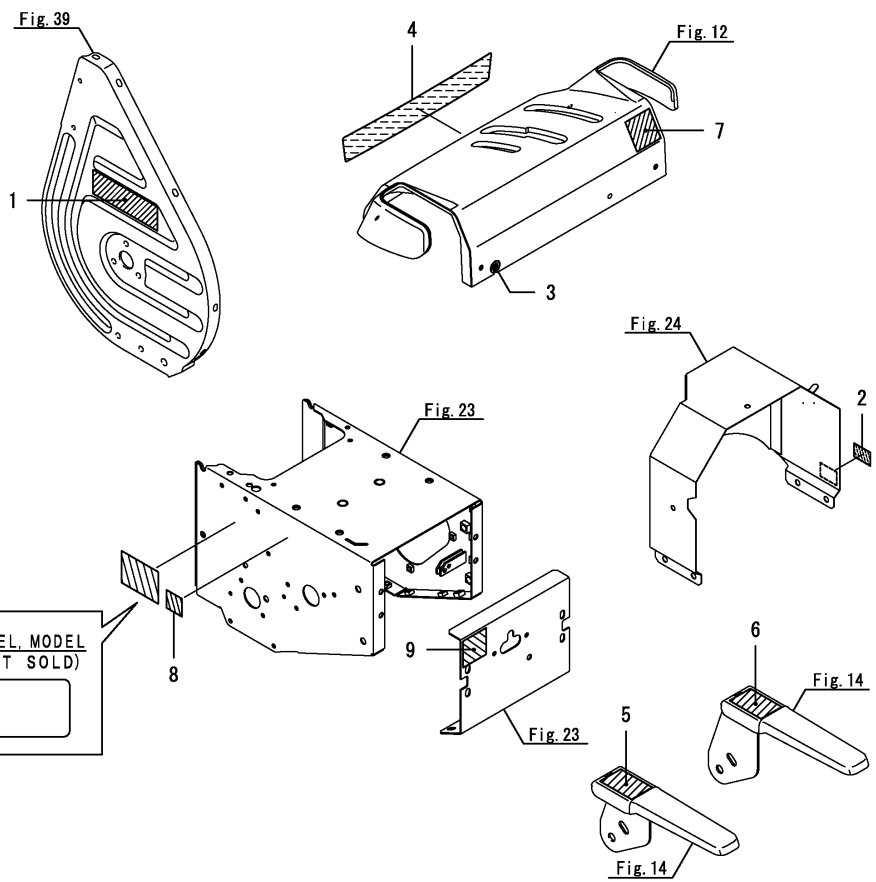
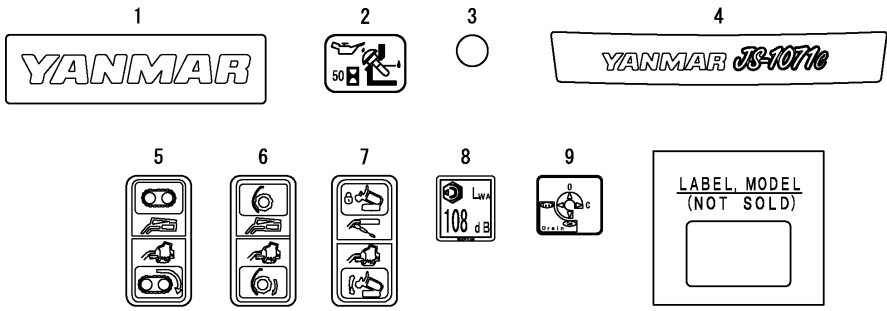
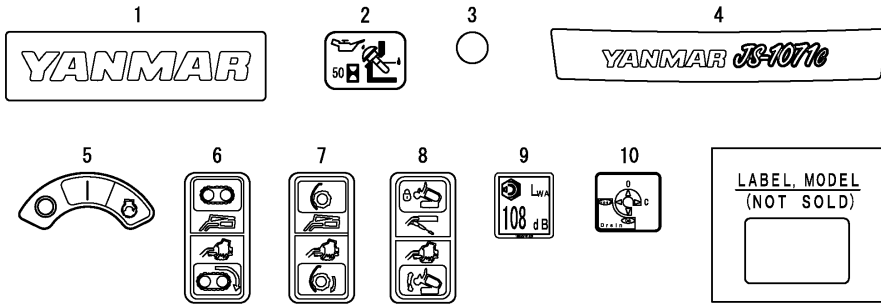




Fig.53. LABEL(S)

(A)=JS-1071C,PQ  
 (B)=JS-1071C,S-PQ  
 (C)=

(D)=  
 (E)=  
 (F)=



No.	Lev.	Parts No.	Description	Q'ty						I	R
				(A)	(B)	(C)	(D)	(E)	(F)		
1	1	1N1711-68190	MARK C YANMAR		2						
2	1	1N1711-68220	MARK,OIL CHECK		1						
3	1	1J3950-91010	MARK,BLINDFOLD		1						
4	1	1N1A10-91050	LABEL, MODEL		1						
5	1	1N3910-91090	LABEL, SWITCH		1						
6	1	1N3910-91100	LABEL, TRAVEL		1						
7	1	1N3910-91110	LABEL, WORK		1						
8	1	1N3910-91300	LABEL, LIFT		1						
9	1	1N3320-91320	LABEL,SOUND		1						
10	1	1N3790-91600	LABEL, DRAIN		1						

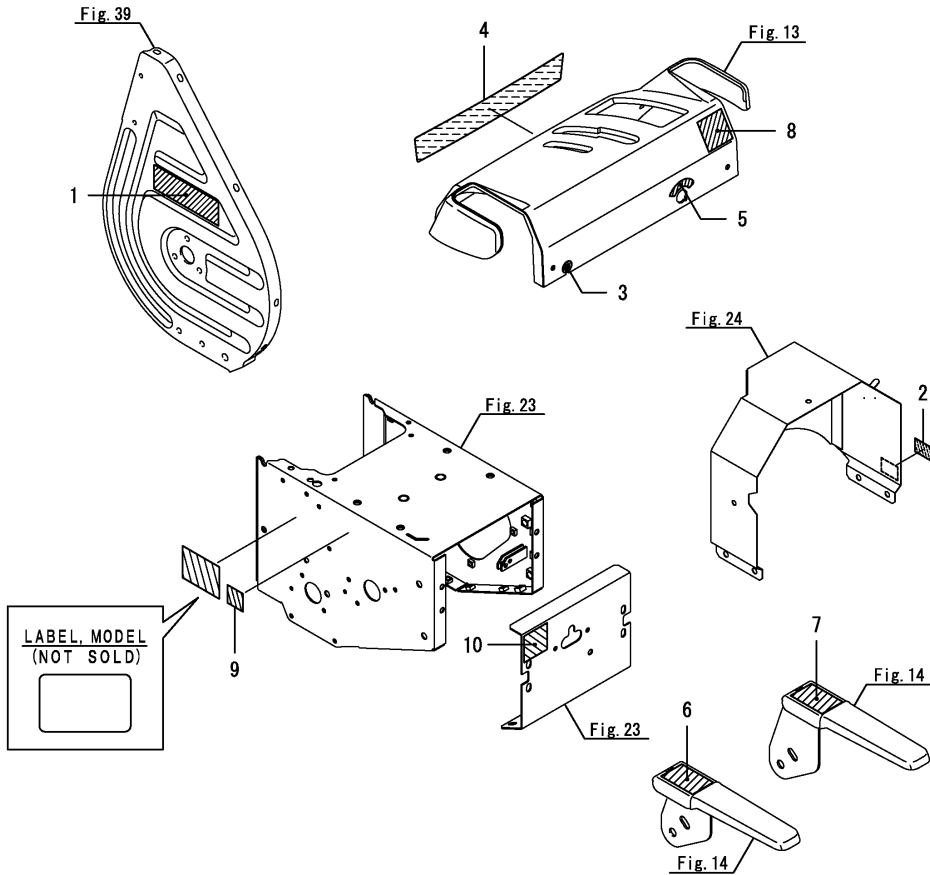
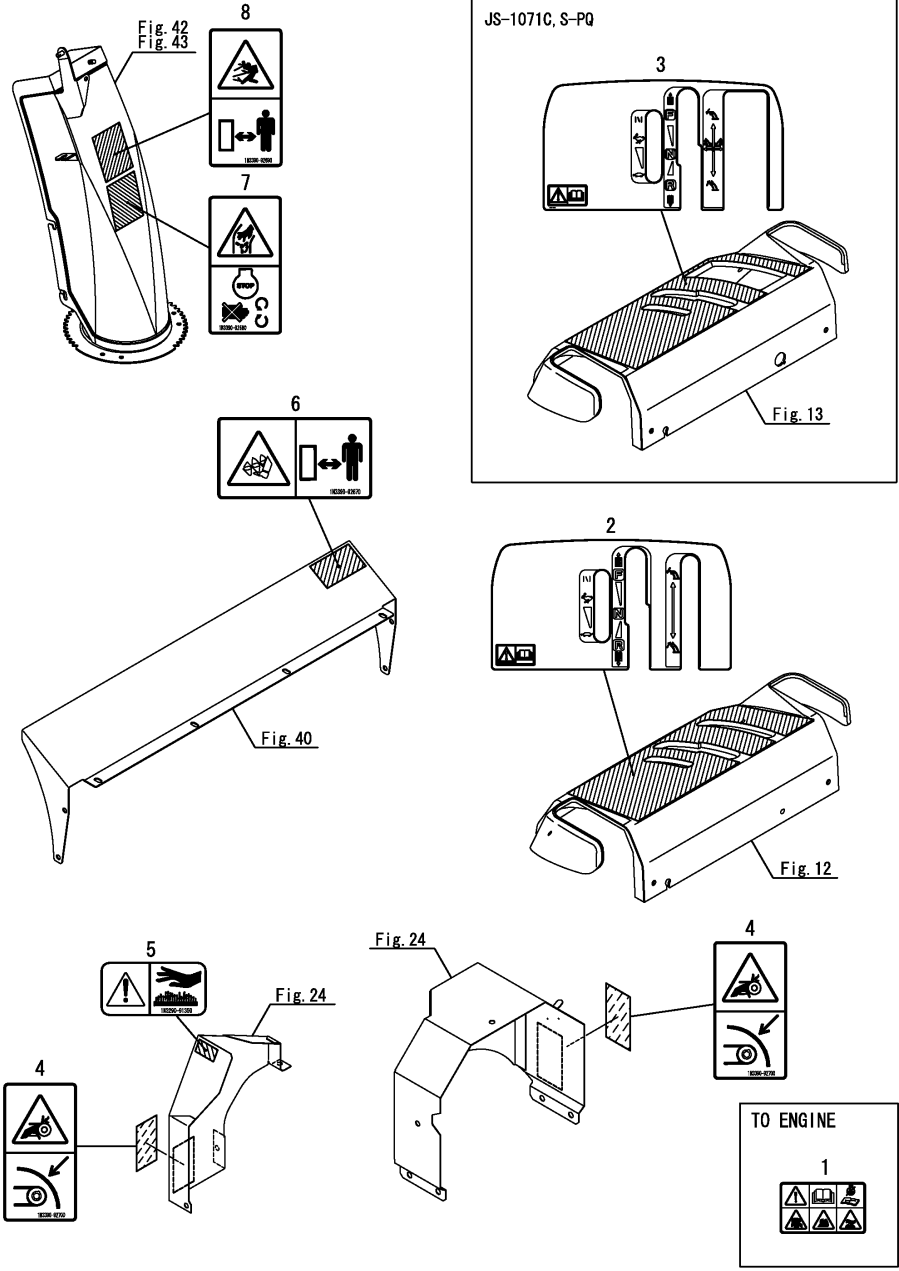


Fig.54. LABEL(SAFETY)



(A)=JS-1071C,PQ  
 (B)=JS-1071C,S-PQ  
 (C)=

(D)=  
 (E)=  
 (F)=

No.	Lev.	Parts No.	Description	Q'ty						I	R
				(A)	(B)	(C)	(D)	(E)	(F)		
1	1	1N3790-91820	CAUTION	1	1						
2	1	1N1A10-91250	LABEL, OPERATION	1							
3	1	1N3790-91250	LABEL, OPERATION		1						
4	1	1N3390-92700	LABEL,CAUTION		2	2					
5	1	1N3290-91350	CAUTION,MUFFLER	1	1						
6	1	1N3390-92670	LABEL,DANGER	1	1						
7	1	1N3390-92680	LABEL,WARNING	1	1						
8	1	1N3390-92690	LABEL,WARNING	1	1						

Fig.55. TOOL

(A)=JS-1071C,PQ  
 (B)=JS-1071C,S-PQ  
 (C)=

(D)=  
 (E)=  
 (F)=

No.	Lev.	Parts No.	Description	Q'ty						I	R
				(A)	(B)	(C)	(D)	(E)	(F)		
1	1	1N3790-95000	SPANNER,	1	1						
2	1	1N3790-95050	SPANNER,	1	1						
3	1	28160-100120	WRENCH, 10X12	1	1						

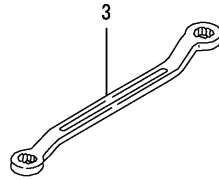
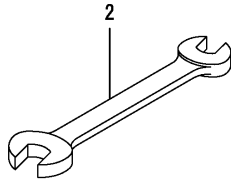
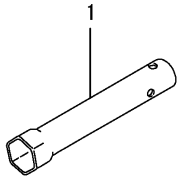
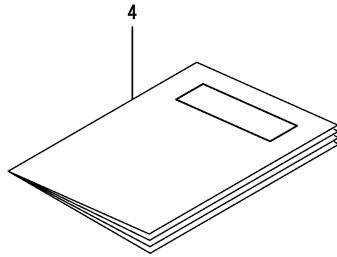
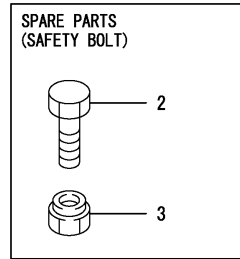
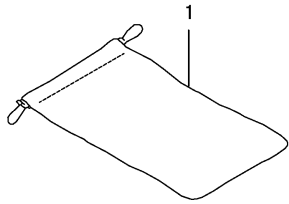


Fig.56. ACCESSORY

(A)=JS-1071C,PQ  
 (B)=JS-1071C,S-PQ  
 (C)=

(D)=  
 (E)=  
 (F)=

No.	Lev.	Parts No.	Description	Q'ty						I	R
				(A)	(B)	(C)	(D)	(E)	(F)		
1	1	1F1150-92000	BAG,TOOL	1							
2	1	26116-060202	BOLT, M6X 20 PLATED	10							1
3	1	26347-060002	NUT, M6	10							1
4	1	0A000-M00200	OPERATION MANUAL	1							



Remarks

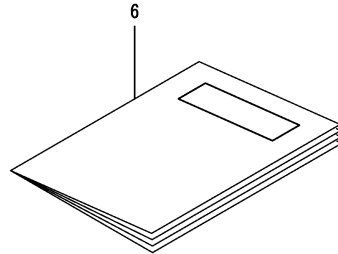
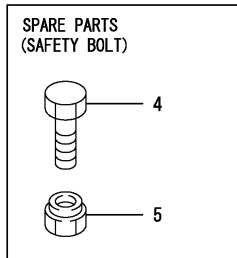
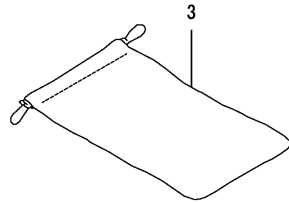
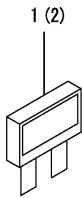
(1)It is a spare part for safety bolt,group No.50ref. No.7.

Fig.57. ACCESSORY

(A)=JS-1071C,PQ  
 (B)=JS-1071C,S-PQ  
 (C)=

(D)=  
 (E)=  
 (F)=

No.	Lev.	Parts No.	Description	Q'ty						I	R
				(A)	(B)	(C)	(D)	(E)	(F)		
1	1	1E8665-83170	FUSE, 15A		1						
2	1	1E8665-83180	FUSE, 20A		1						
3	1	1F1150-92000	BAG,TOOL		1						
4	1	26116-060202	BOLT, M6X 20 PLATED		10						1
5	1	26347-060002	NUT, M6		10						1
6	1	0A000-M00200	OPERATION MANUAL		1						



Remarks  
 (1)It is a spare part for safety bolt,group No.50ref. No.7.

## Parts No. Index

Parts No.	Fig. No.	Ref. No.
0A000-M00200	56	4
	57	6
194990-22140	47	1
195385-35870	3	5
	17	9
	19	5
	20	9
198273-01230	3	1
1A1102-57100	19	7
1A1470-40900	32	1
1A1490-40540	22	13
	29	1
	30	2
	31	2
1A6150-15010	7	3
1C1011-53430	21	14
1C1300-17300	34	1
1C1300-38250	7	4 -1
1C7100-48250	17	10
	19	6
	20	10
1E4060-26430	20	2
1E4760-43090	18	9
1E6102-84970	15	12
	22	33
	30	5
	31	7
1E6650-82300	34	7
1E6740-64200	18	10
1E7030-51302-1	4	9
1E8665-83170	57	1
1E8665-83180	57	2
1E8775-84120	30	4
	31	6
	36	6
1E9170-64750	17	11
1F1150-64230	5	3
1F1150-92000	56	1
	57	3
1F5300-43300	21	13
	45	1
1J3670-11390	30	1
	31	1
1J3950-91010	52	3
	53	3
1J3999-00040	12	1
	13	1
1J3999-02160	42	1
	43	1
1J3999-07000	15	1

Parts No.	Fig. No.	Ref. No.
1J3999-07000	15	20
		23
	19	1
		12
	20	1
		17
1N1570-21201	8	3
1N1570-21300	8	5
1N1570-21600	9	1
1N1570-32950	18	8
1N1570-38200	39	1
1N1570-38210	37	1
	38	1
1N1710-51350	29	8
1N1710-71062-2	37	3
	38	2
1N1710-71072	37	4
	38	3
1N1710-82140	11	5
1N1711-35520	21	12
1N1711-51380	35	3
	36	4
1N1711-51390	36	2
1N1711-51850	35	2
	36	3
1N1711-51860	35	4
	36	5
1N1711-68190	52	1
	53	1
1N1711-68220	52	2
	53	2
1N1711-73170	44	2
1N1711-73240	42	4
	43	4
1N1711-73280	42	5
	43	5
1N1723-00450	29	5
1N1723-38500-1	27	5
1N1723-51280	34	3
1N1723-52101	34	5
1N1960-73502	42	6
	43	7
1N1A10-00050	1	1
1N1A10-11000	4	1
1N1A10-11100	4	3
1N1A10-11270	4	7
1N1A10-11280	4	8
1N1A10-12050	6	1
1N1A10-12150	5	2
1N1A10-12200	7	2

Parts No.	Fig. No.	Ref. No.
1N1A10-21300	8	6
1N1A10-21330	8	8
1N1A10-21331	8	8 -1
1N1A10-30000	11	1
1N1A10-30110	11	2
1N1A10-30120	11	3
1N1A10-30200	11	4
1N1A10-30201	11	4 -1
1N1A10-31600	15	9
1N1A10-32160	18	1
1N1A10-32190	18	2
1N1A10-32350	18	4
1N1A10-34350	21	1
1N1A10-34370	21	2
1N1A10-34380	21	3
1N1A10-34381	21	3 -1
1N1A10-34500	21	5
1N1A10-34600	21	7
1N1A10-34601	21	7 -1
1N1A10-35300	22	6
1N1A10-35450	22	8
1N1A10-36000	23	1
1N1A10-36001	23	1 -1
1N1A10-36002	23	1 -2
1N1A10-36100	23	2
1N1A10-36200	23	3
1N1A10-37060	24	1
1N1A10-37100	24	2
1N1A10-37350	24	5
1N1A10-51220	29	3
1N1A10-51300	29	6
1N1A10-51400	31	3
1N1A10-51450	30	3
1N1A10-51500	34	4
1N1A10-71000	37	2
1N1A10-71001	37	2 -1
1N1A10-71500	38	5
1N1A10-73100	44	1
1N1A10-73350	45	3
1N1A10-73351	45	3 -1
1N1A10-73400	45	3 -2
1N1A10-73450	46	2
1N1A10-73950	42	7
	43	8
1N1A10-91050	52	4
	53	4
1N1A10-91250	54	2
1N1A50-23500	9	3 -1
1N3021-11240-1	4	5
1N3021-31580	15	8

Parts No.	Fig. No.	Ref. No.
1N3021-31580	17	1
1N3021-34390	21	4
1N3021-34710	21	10
1N3021-34720	21	11
1N3021-38600-1	27	6
1N3021-52300	33	1
1N3021-73201	42	3
	43	3
1N3021-74030	48	1
1N3260-73250	21	15
1N3260-73400	43	6
1N3280-73740	34	6
1N3290-91350	54	5
1N3300-23050	9	3
1N3300-23120	9	6
1N3300-25100	10	2
	27	1
1N3300-32500-1	18	5
1N3300-51010	29	2
1N3300-71301-1	41	1
1N3300-71320	41	2
1N3300-71330	41	3
1N3300-71401-1	37	5
	38	4
1N3310-23200	9	9
1N3320-71290	4	11
1N3320-91320	52	8
	53	9
1N3330-21400	8	9
1N3330-34651	21	8
1N3330-34700	21	9
1N3330-75200-1	50	3
1N3335-34100	20	4
1N3360-38000	26	1
1N3370-71300	39	2
1N3370-71350	39	3
1N3370-74040	49	1
1N3370-74200	49	2
1N3370-76000-1	51	1
1N3371-75000-1	50	1
1N3371-75100-1	50	2
1N3390-23000	9	2
1N3390-23300	9	10
1N3390-23400	9	11
1N3390-34500	21	6
1N3390-35000	22	1
1N3390-35060	22	2
1N3390-35100-1	22	3
1N3390-35150	22	4
1N3390-35250	22	5

## Parts No. Index

Parts No.	Fig. No.	Ref. No.
1N3390-35400	22	7
1N3390-35600	22	10
1N3390-35650-1	22	11
1N3390-35700-1	22	12
1N3390-37100-1	25	1
1N3390-38200-1	27	2
1N3390-73300	45	2
1N3390-92670	54	6
1N3390-92680	54	7
1N3390-92690	54	8
1N3390-92700	54	4
1N3400-21300	8	7
1N3400-23180	9	8
1N3400-25000	10	1
1N3400-35501	22	9
1N3400-38400	27	3
1N3400-38450	27	4
1N3400-51450	35	1
1N3440-21300	15	2
1N3790-00050	1	2
	2	1
1N3790-00100	1	3
	2	2
1N3790-00150	1	4
	2	3
1N3790-00250	1	5
	2	4
1N3790-00500	1	6
	2	5
1N3790-00700	1	7
	2	6
1N3790-00750	1	8
	2	7
1N3790-00760	1	9
	2	8
1N3790-00770	1	10
	2	9
1N3790-02100	3	2
1N3790-02150	3	3
1N3790-11050	4	2
1N3790-11150	4	4
1N3790-12000	5	1
1N3790-12010	7	1
1N3790-31300	15	4
1N3790-31650	15	10
1N3790-32400	17	7
1N3790-32450	17	8
1N3790-32451	17	8 -1
1N3790-34200	19	4
	20	7

Parts No.	Fig. No.	Ref. No.
1N3790-35850	34	2
1N3790-38500	28	1
1N3790-73350	46	1
1N3790-74000	47	2
1N3790-74010	47	3
1N3790-74080	48	2
1N3790-74100	48	3
1N3790-91250	54	3
1N3790-91500	31	4
1N3790-91510	31	5
1N3790-91600	52	9
	53	10
1N3790-91820	54	1
1N3790-95000	55	1
1N3790-95050	55	2
1N3790-96870	15	21
		24
	19	13
	20	18
1N3840-21001	8	1
1N3840-21100	8	2
1N3840-21200	8	4
1N3840-21410	8	10
1N3840-21450	8	11
1N3840-23100	9	4
1N3840-23400	9	12
1N3840-32000	17	2
1N3840-32301	18	3
1N3840-32600	18	6
1N3840-32650	18	7
1N3850-02200	3	4
1N3850-11250	4	6
1N3850-23110	9	5
1N3850-23140	9	7
1N3850-30350	12	3
	13	2
1N3850-30400	12	4
	13	4
1N3850-31000	14	1
1N3850-31100	14	2
1N3850-31200	15	3
1N3850-31300	15	5
1N3850-31451	15	6
1N3850-31460	15	7
1N3850-31751	16	1
1N3850-32050-1	17	3
1N3850-32100	17	4
1N3850-32150	17	5
	19	2
	20	3

Parts No.	Fig. No.	Ref. No.
1N3850-32160	17	6
1N3850-34000	19	3
1N3850-51300	29	7
1N3850-51350	29	9
1N3850-73200	44	3
1N3850-73250	44	4
1N3850-73300	44	5
1N3850-73400	44	6
1N3860-34151	20	5
1N3860-34160	20	6
1N3860-34201	20	8
1N3860-34250	36	1
1N3910-31701	15	11
1N3910-74130	47	4
1N3910-91090	53	5
1N3910-91100	52	5
	53	6
1N3910-91110	52	6
	53	7
1N3910-91300	52	7
	53	8
1S6000-61220	8	12
1S7302-30370	7	4
22117-080000	8	13
22117-120000	8	14
	9	13
	18	11
22137-060000	1	11
	2	10
	3	6
	8	15
	15	13
	19	8
	20	11
	21	16
	39	4
	41	4
	42	8
	43	9
	44	7
22137-080000	7	5
	11	6
	22	14
		15
	45	4
22137-100000	3	7
	15	14
22137-120000	4	12
22137-140000	4	13
22137-200000	27	7

Parts No.	Fig. No.	Ref. No.
22157-060000	4	14
		15
	8	16
	9	14
		14 -1
	16	2
	22	16
	42	9
	43	10
22157-080000	22	17
		18
	27	8
	37	6
	38	6
	41	5
	50	4
22190-080000	47	5
22190-120002	1	12
	2	11
22190-140000	47	6
22217-060000	1	13
	2	12
22217-080000	50	5
22242-000100	15	15
22242-000120	4	16
	8	17
	9	15
22242-000150	4	17
		18
22242-000200	9	16
	10	3
22242-000250	6	2
	8	18
		19
22252-000350	4	19
22252-000420	8	20
22272-000060	22	19
22312-080100	47	7
22351-030012	20	12
22351-040020	15	16
22351-050020	45	5
22372-040000	21	17
22417-160100	4	20
		21
	18	12
	22	20
	44	8
22417-200100	15	17
	19	9
	20	13

## Parts No. Index

Parts No.	Fig. No.	Ref. No.
22417-200100	21	18
22417-200120	42	10
	43	11
22417-200160	21	19
		25
	22	21
22451-160000	9	17
22487-060120	18	13
22487-060160	22	22
22487-080120	22	23
22487-080160	22	24
22512-050260	9	18
22550-050300	7	6
	27	9
	49	3
	50	6
	51	2
22550-070400	5	4
22550-070500	48	4
22857-300080	20	14
24101-060044	48	5
	49	4
24104-060044	9	19
	10	4
	27	10
24104-062024	9	20
24104-062034	37	7
	38	7
	39	5
24104-063020	4	10
24107-062024	4	22
24421-203508	48	6
	49	5
24550-012100	4	23
24550-015100	4	24
24550-020100	27	11
25122-003401	6	3
26013-060122	8	21
	9	21
	10	5
26013-060162	8	22
	9	21 -1
		22
		22 -1
	16	3
	27	12
26013-080162	8	23
26013-080252	22	25
	27	13
26013-080302	5	5

Parts No.	Fig. No.	Ref. No.
26013-100252	11	7
		7 -1
26014-060122	9	23
	22	26
	39	6
	40	2
26014-060162	1	14
		15
		16
		17
		18
	2	13
		14
		15
		16
		17
	17	12
	18	14
		15
		16
		23
	23	4
	24	6
		7
		8
		9
		25
	25	2
	27	12 -1
	29	10
		11
		30
		34
		46
		4
26014-060252	31	8
26014-080162	21	20
		21
	39	7
26014-080202	5	6
	12	5
	13	5
	14	3
	15	18
	17	13
		14
	22	27
		28
	23	5
	24	10
	28	2
	29	12
	30	7

Parts No.	Fig. No.	Ref. No.
26014-080202	31	9
	34	9
	36	7
	37	8
	38	8
	47	8
26014-080302	1	19
26014-080502	2	17
26014-100402	1	20
	2	18
26051-060002	3	8
		9
	8	24
		25
	9	24
	18	17
	37	9
	38	9
	39	8
	41	6
	42	11
	43	12
	44	9
26051-080002	4	25
	7	7
	11	8
	17	15
	18	18
	22	29
	29	13
	32	2
	35	5
	36	8
	37	10
		11
	38	10
		11
	41	7
	45	6
26051-100002	7	8
26107-080162	47	9
26116-060122	37	12
	38	12
26116-060202	50	7
	56	2
	57	4
26116-060254	8	26
26116-060304	8	27
26116-060552	1	21
	2	19

Parts No.	Fig. No.	Ref. No.
26116-080162	17	16
	45	7
	50	8
26116-080202	22	30
	37	13
	38	13
	51	3
26116-080252	50	9
26116-080452	11	9
26117-080162	36	9
26347-060002	42	12
	43	13
	50	10
	56	3
	57	5
26347-080002	22	31
26487-080402	4	26
26557-060252	22	32
26717-060002	8	28
		29
		17
		21
		40
26717-080002	18	19
	21	23
	50	11
	51	4
26717-100002	3	10
	11	10
	17	18
	19	10
	20	15
26979-060102	21	24
28160-100120	55	3
7N1A10-30300	12	2
7N1A10-31600	15	19
7N1A10-37100	24	3
7N1A10-51220	29	4
7N1A10-71201	40	1
7N1A10-73000	42	2
7N3790-30400	13	3
7N3790-31650	15	22
7N3790-34200	19	11
	20	16
7N3790-37300	24	4
7N3790-73100	43	2